



Safety Instructions



0,1,2,4,6,7,8,9,11,
15,22,25,27

Info Hotline

+49 (0) 5041 998 389

Mon. - Do. 7⁰⁰ - 20⁰⁰

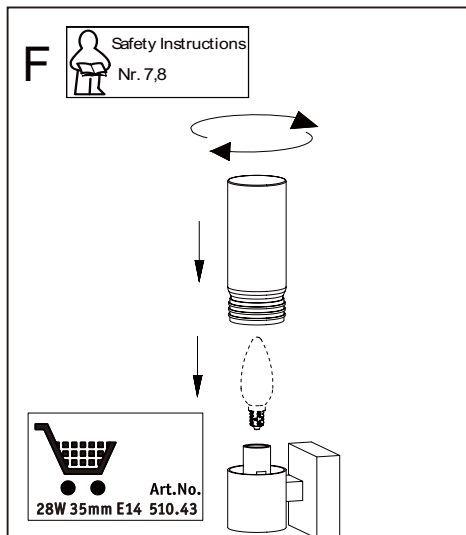
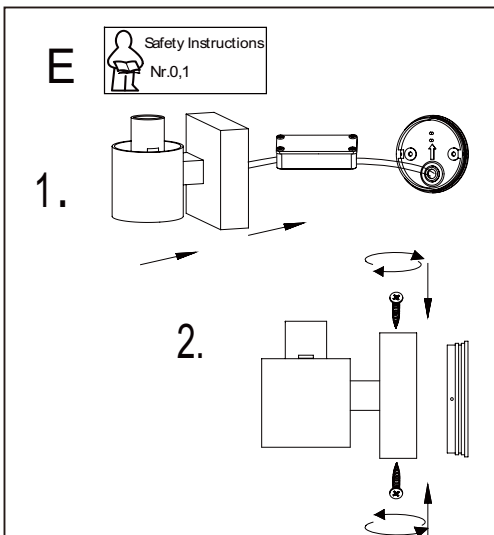
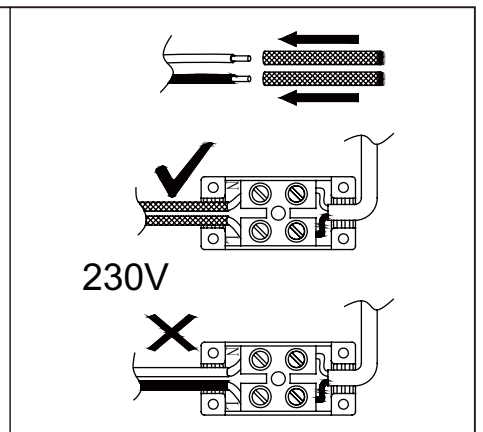
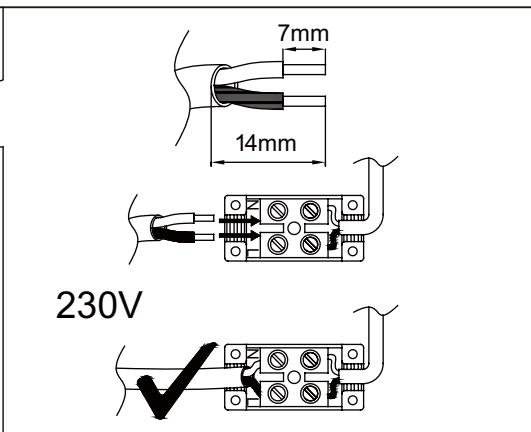
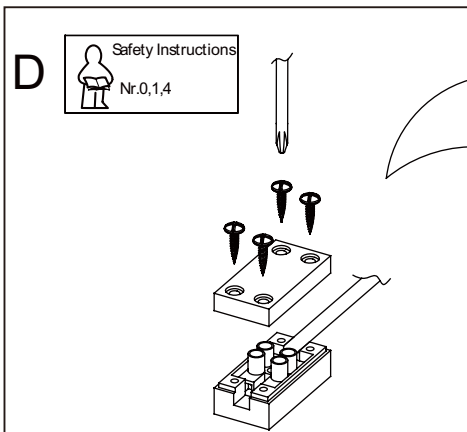
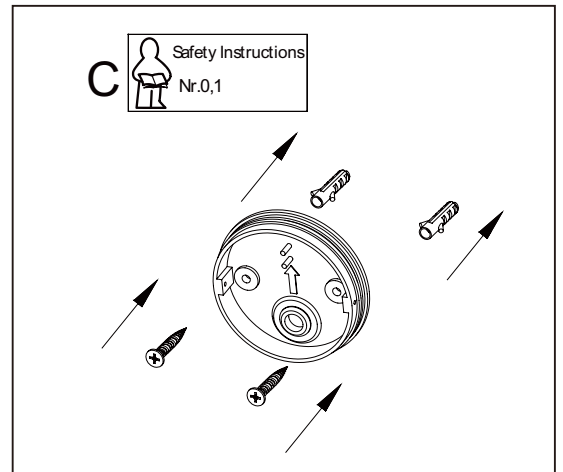
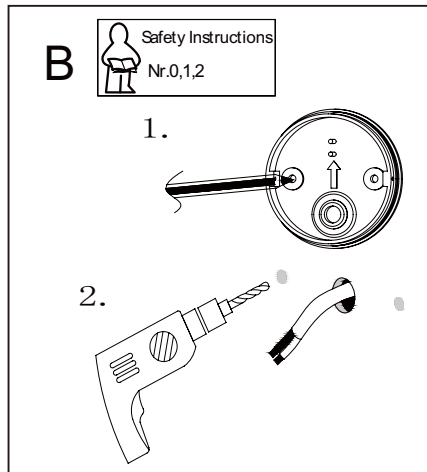
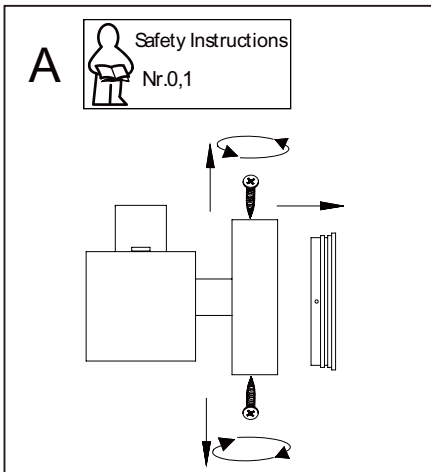
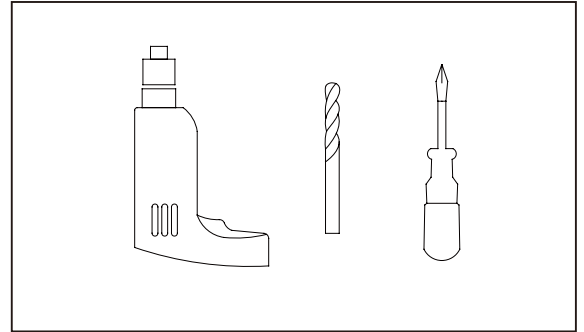
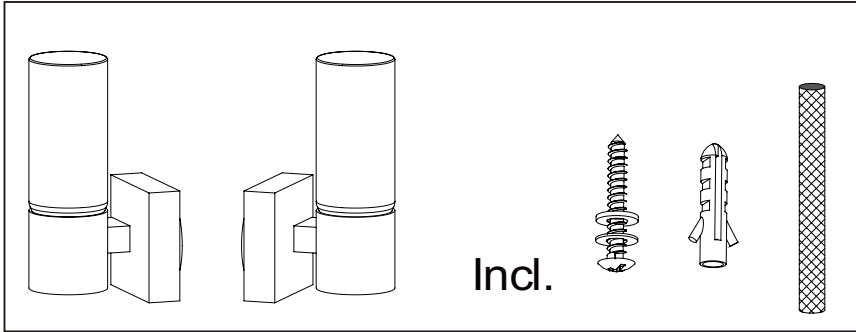
Fr. 7⁰⁰ - 17⁰⁰



Paulmann Licht GmbH
31832 Springe / Germany
www.paulmann.com

Art.-Nr.:
703.54

(+MA 173)
PJH 09/12



Art.No.
28W 35mm E14 510.43

