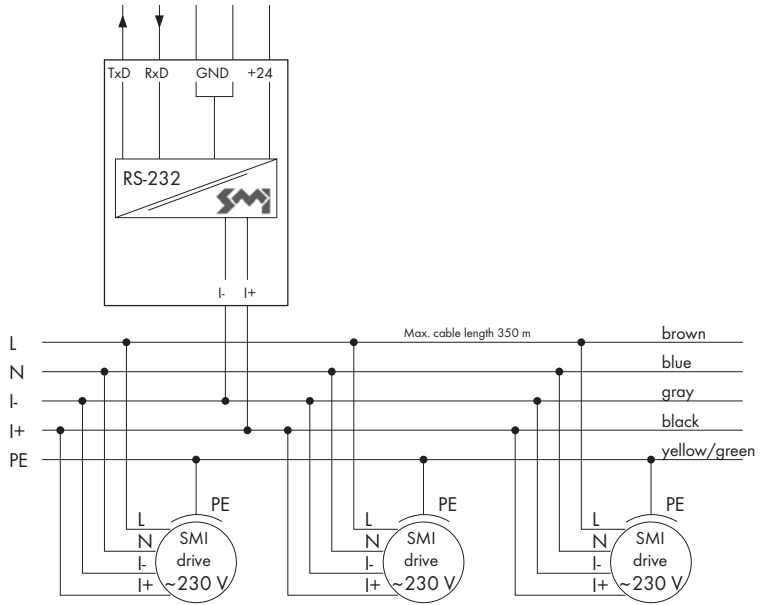


789-912

Interface Module RS-232/SMI in DIN-Rail Mountable Enclosure

For SMI drives, 230 V AC



The 789-912 RS-232/SMI Interface Module is a standard interface for SMI-compliant electrical drives. The interface represents a purely physical level conversion between the standard RS-232 interface and the SMI signal level. The interface module operates up to 16 SMI drives, and the complete SMI range of functions can be used. The special WAGO-I/O-PRO function blocks communicate between applications and SMI drives. The modules support both single and group addressing, as well as status monitoring. Both 750 Series programmable fieldbus controllers' RS-232 onboard interfaces and 750-650/003-000 or 753-650/003-000 serial RS-232 interfaces can connect to the SMI Interface Module. The module must be supplied with an external 24VDC power source. RS-232 and 24V power supply are electrically isolated from the SMI connections. There is no electrical isolation between

power supply and RS-232. The module is DIN-rail mountable.

Notes on SMI:

SMI stands for Standard Motor Interface, a standard interface for electrical drives. SMI was developed for connecting drives with integrated electronic circuitry for applications in shutters and sunshade systems.

Description	Item No.	Pack. Unit
Interface module RS-232/SMI	789-912	1

Technical Data	
Voltage supply	24 V DC
Voltage range	± 10%
Current consumption (internal)	max. 55mA
Number of SMI channels	1
Number of drives per channel	16
Operational indication	LED green
Interface	RS-232 (interface input)
Type of cable, cable length	max. 350 m (SMI bus) max. 3 m (data and power supply cable, RS-232)
Degree of protection	IP20
Mounting position	any
Ambient operating temperature	0°C ... +55°C
Storage temperature	-25 °C ... +85 °C
Dimensions (mm) W x H x L	35 x 55 x 90
Wire connection	Height from upper-edge of DIN 35 rail CAGE CLAMP® (WAGO 804 Series)
Cross sections	0.5 mm² ... 2.5 mm² / AWG 20 ... 12
Stripped lengths	10 ... 11 mm / 0.42 in
Standards/Specifications	EN 50090-2-2