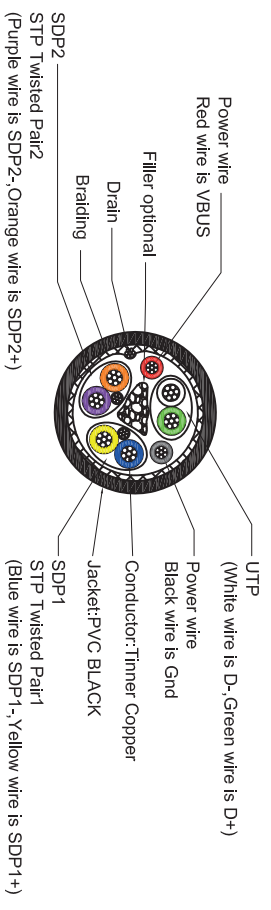
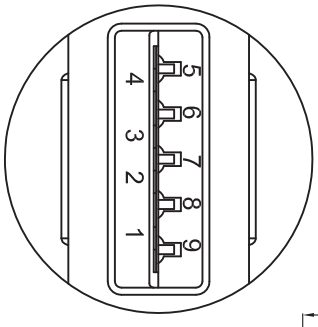
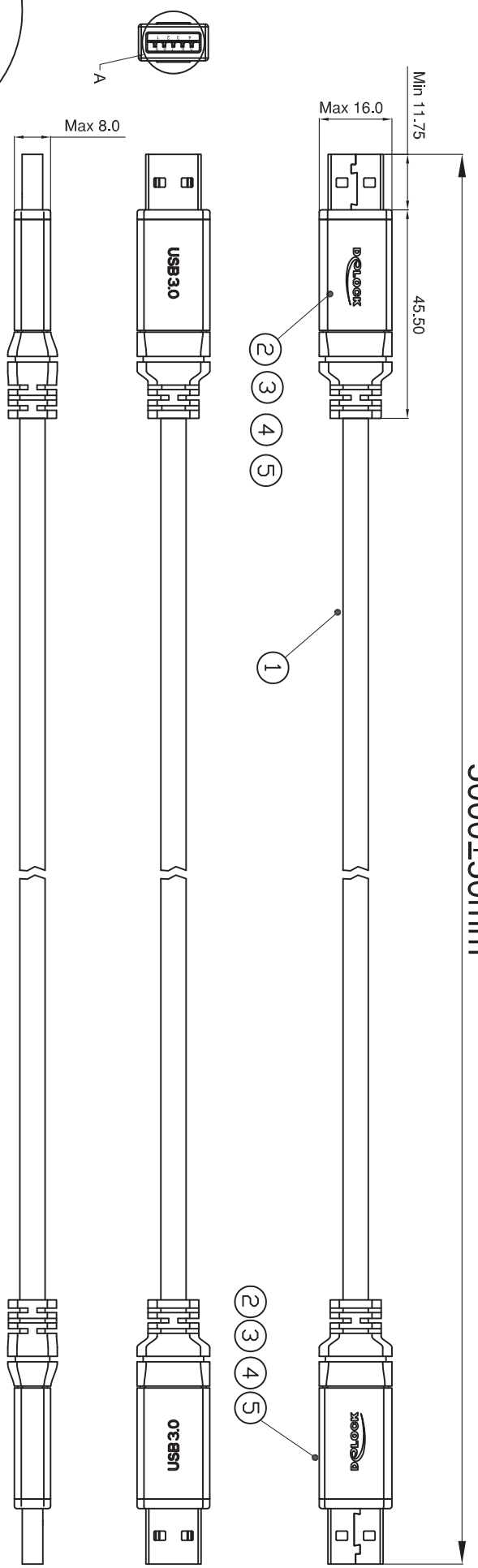


5000±50mm



NOTES:
 1. ALL MATERIAL MEET THE ROHS COMPLIANT
 2. TESTING CONDITION:
 RATING VOLTAGE: 30V,
 INSULATION RESISTANCE: DC/250V 20MΩ MIN,
 WITHSTAND VOLTAGE: AC/250V 5mA FOR 0.1S,
 CONDUCTOR RESISTANCE: 5Ω MAX.

PIN ASSIGNMENT:

CONN	Pin Signal	CONN	Pin Signal	Wire Signal Name
1	VBUS	1	VBUS	Power 24AWG
2	D-	2	D-	UTP D- 26AWG
3	D+	3	D+	UTP D+ 26AWG
4	GND	4	GND	GND 24AWG
5	SSRX+	5	SSRX+	SDP1- 26AWG
6	SSRX-	6	SSRX-	SDP1+ 26AWG
7	GND_Drain	7	GND_Drain	GND_Drain 26AWG
8	SSTX+	8	SSTX+	SDP2- 26AWG
9	SSTX-	9	SSTX-	SDP2+ 26AWG
Shield	Shield	Shield	Shield	Shield 30AWG

NO.	TITLE	DESCRIPTION	Q'ty
1	USB 3.0 Cable	USB 3.0 CABLE 26AWG*3P+24AWG*2C	5M
2	USB 3.0 AM Plug	Terminal:Shell Plated G/F+Contactplated G/F.	2Set
3	USB 3.0 AM Hardware	AL	2Pcs
4	Inner Molding	LDPE	A/R
5	Outer Molding	PVC: BLACK 30P	A/R

DELCK
we move the world

Title: Cable USB 3.0 Type-A male >
 USB 3.0 Type-A male 5 m Premium

Item no. **82747**

Barcode 4043619827473

File No. 88089

Date: 2016 / 11 / 21

Unit: mm

Projection:

Rev: A