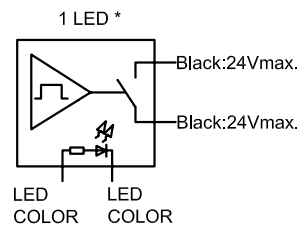
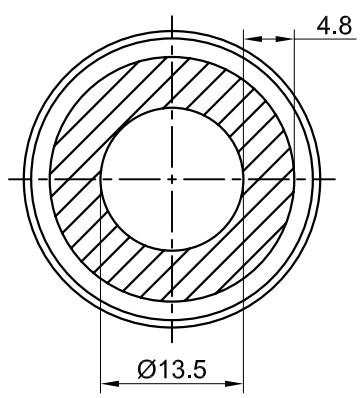
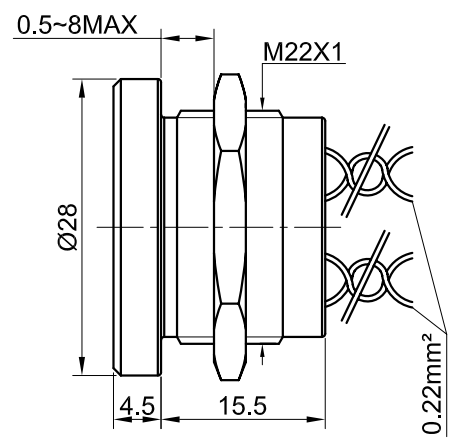
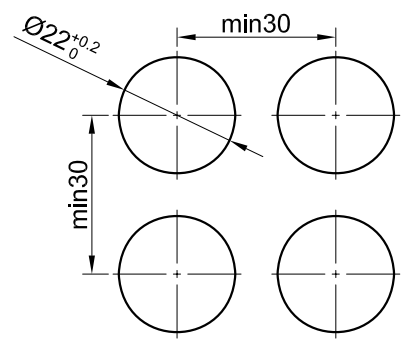
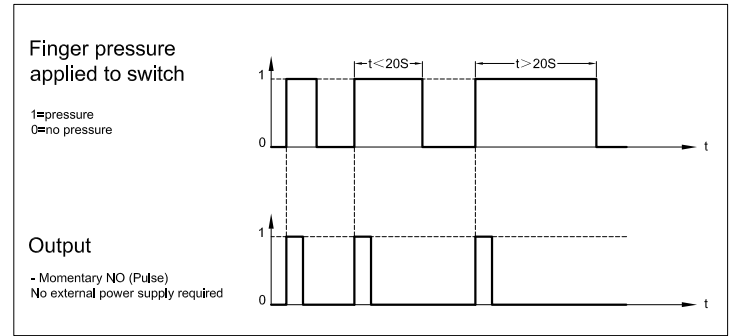


1	2	3	4	5	6	7
REV. 更改	DESCRIPTION 说明	ENG. 修改人	APPROVE 审核			

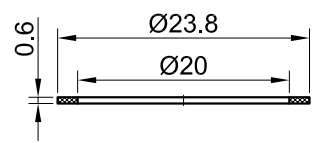


Wiring Diagram

Part Number: PS225P10Y ◆ 1 △ ▲



Panel Cutout Max.  
Panel Thickness 8 mm



Seal Ring

**SPECIFICATIONS:**

- 1.Max.Switch Rating: 200mA 24VAC/DC;
- 2.Switch resistance ON:10Ω max  
Switch resistance OFF:5MΩ min.
- 3.Operation Life: 50 Million cycles;
- 4.Wiring: AWG 26, Length 300mm;
- 5.IP Class: IP68/IK10.
- 6.Operating Temperature: -40℃ ~ +75℃;
- 7.Operating Force: About 5~10N.
- 8.LED consumption:illuminated ring:About 15mA.

**MATERIALS:**

- 1.Body: Aluminium anodized /Stainless Steel.
- 2.Multi-wire leads section 0.22mm² length 300 mm,twisted by pair.cable,length 300mm,section depending on switch model
- 3.PC terminals:bronze tin plated.

"◆"	Colour/Materials	"△"	Cap or Lamp Color	"▲"	Lamp voltage
NT	Natural anodized	Blank	Non-illum	Blank	Non-illum
BU	Blue anodized	R	Red	05L	Large Ring- 5VDC
BK	Black anodized	G	Green	12L	Large Ring-12VDC
GD	Gold anodized	Y	Yellow	24L	Large Ring-24VDC
RD	Red anodized	O	Orange		
SS	Stainless steel	B	Blue		
GN	Green anodized	W	White		

USED 用途		APPD 审核	
FINISH 处理		CHKD 校对	
DIMENSIONS 0.00 TO 30.00mm 30.01 TO 80.00mm 80.01 TO 150.00mm 150.01 ↑	TOLERANCE ±0.20mm ±0.25mm ±0.30mm ±0.40mm	SCALE 比例 1.4 / 1	UNIT 单位 mm
TITLE 名称 Piezo electric Switch		DR. 制图	
MATERIAL		DWG NO. 图号 PS225P10Y ◆ 1 △ ▲	SIZE 图纸 A4
FILE NAME 档案名称 PS225P10Y ◆ 1 △ ▲ .DWG		SHEET 张 1 / 1	REV. 更改 1