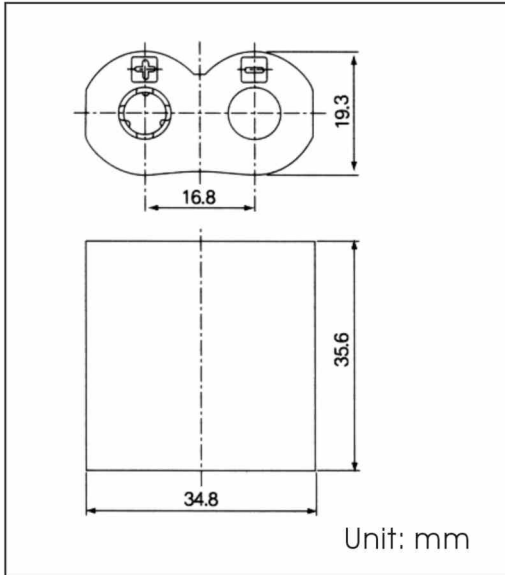


CR-P2



Chemical System : Lithium/Manganese Dioxide

IEC Name: CR-P2

Camelion No. : CR-P2

Average Weight : 37.0g

Dimension (LxWxH) : 34.8x19.3 x35.6 mm

Terminals: Flat, Recessed Negative

Nominal Voltage : 6.0Volts

Capacity : 1400mAh

($20\pm 2^{\circ}\text{C}$ 14.0mA constantly discharge to 2.0V)

Standard discharge current: 14.0mA

Max. Continuous Discharge Current: 1000mA

Max. Pulse Discharge Current: 3000mA

Operating Temperature: $-20^{\circ}\text{C}\sim 60^{\circ}\text{C}$

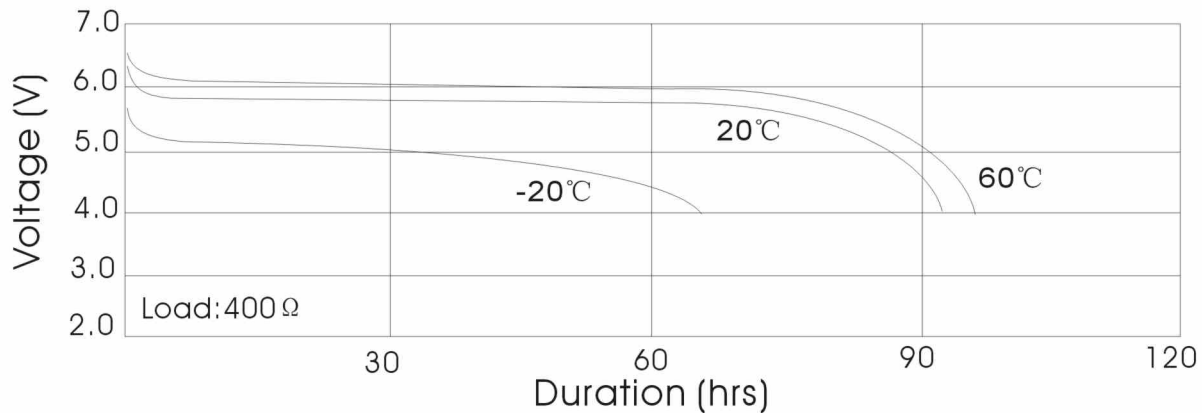
Storage conditions

Temperature: $-20^{\circ}\text{C}\sim 45^{\circ}\text{C}$

Relative Humidity: $60\pm 15\%$

Jacket : Aluminium Foil Label

Typical Temperature Characteristics



Typical Load Characteristics

