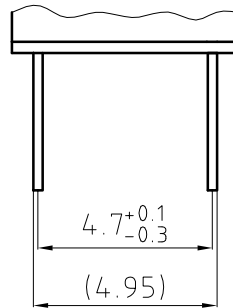
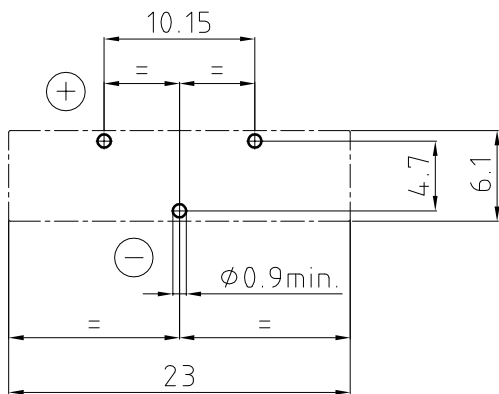
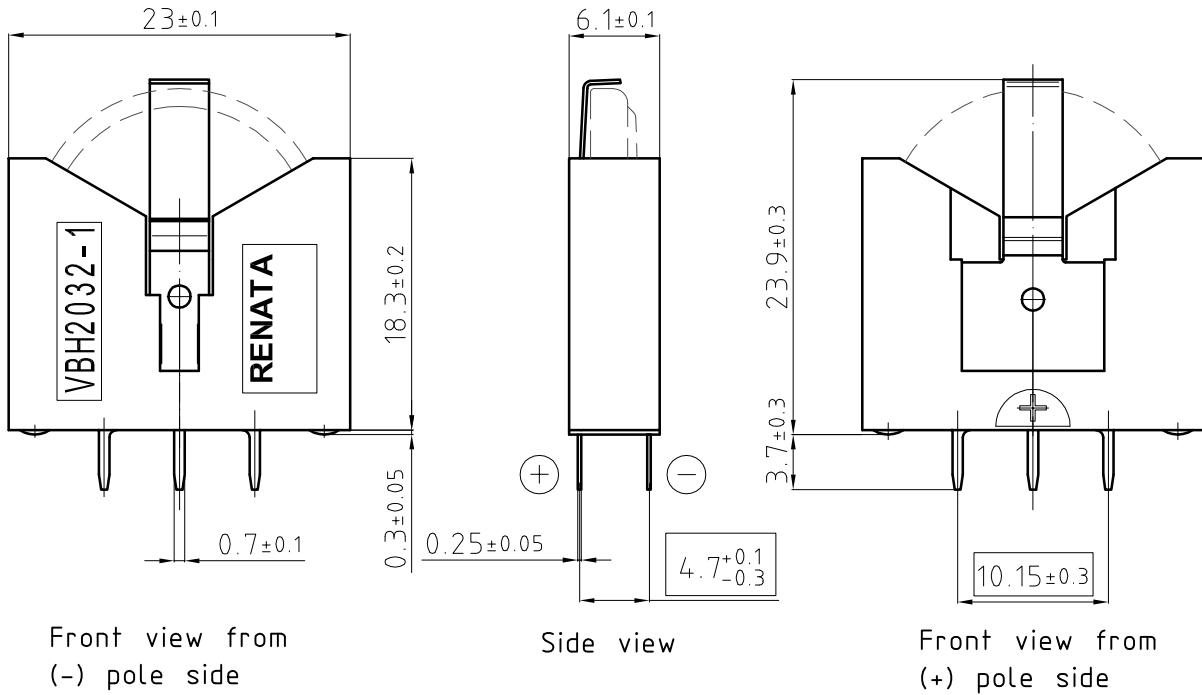


Art.-Number: 703384



Detail M5:1

Layout top view

All dimensions in mm.

Colour: black

Holder material: Flame retardant high performance polyamide resin, UL flammability class 94V-0

Battery contacts: spring stainless steel nickel plated throughout, thickness min. 1.5um

Solder contacts: spring stainless steel nickel plated throughout, thickness min. 4um

Specifications are subject to change without notice for further improvement

All framed values will be used for dimension checking !

| | | | | | | | | | | | |
|-----------|-----------------------|--|--|------|-----------------------|--|--|----------|---------------------|----------|-----|
| Rev. | <input type="radio"/> | | | Rev. | <input type="radio"/> | | | | Customer's Approval | | |
| Rev. | <input type="radio"/> | | | Rev. | <input type="radio"/> | | | | Date | | |
| Rev. | <input type="radio"/> | | | Rev. | <input type="radio"/> | | | | Signature | | |
| Title: | | | | | | | | Scale | Drawn | 11.12.12 | PWu |
| VBH2032-1 | | | | | | | | 2:1 | Checked | | |
| | | | | | | | | Approved | 11.12.12 | MDi | |

renata
batteries

CH-4452 Itingen
Switzerland

10.1008.4 -

Samples can deviate in the execution from the serie.

Dimensions and tolerances can be specified only after the testing of the devices for the mass production definitely