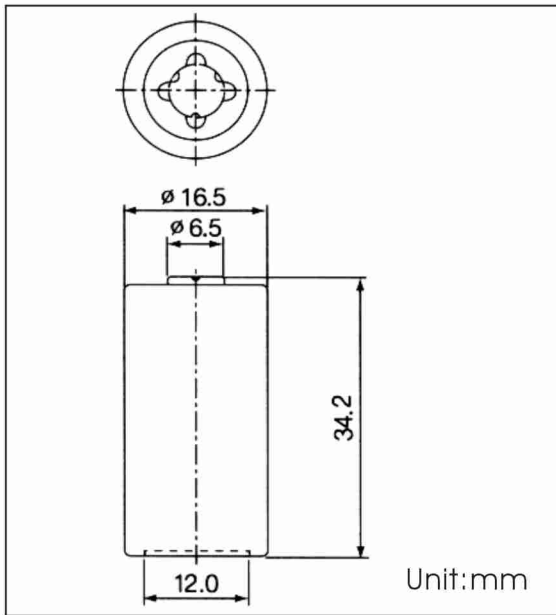
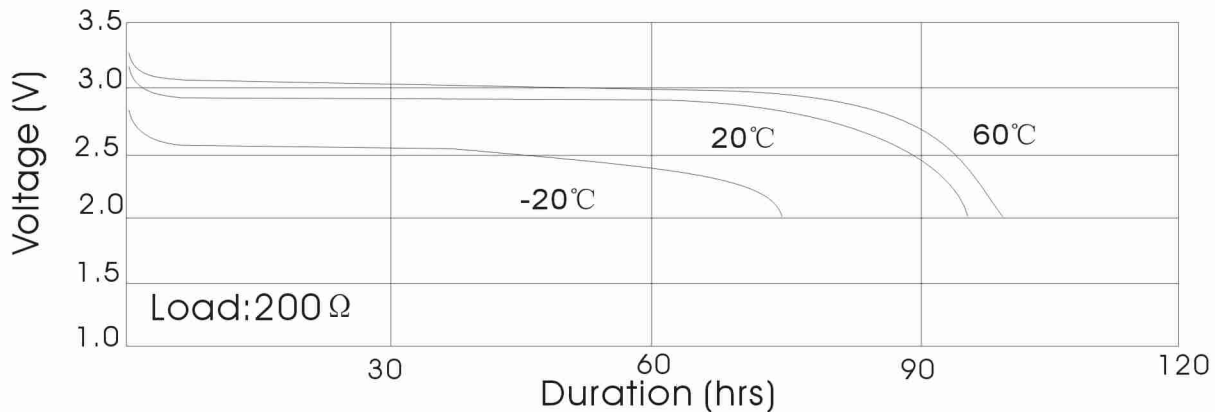


CR123A



Chemical System : Lithium/Manganese Dioxide
IEC Name: CR17345
Camelion No. : CR123A
Average Weight : 16.0g
Dimension (O x H) : 16.5 x 34.2 mm
Terminals: Flat, Recessed Negative
Nominal Voltage : 3.0Volts
Capacity : 1300mAh
($20 \pm 2^\circ\text{C}$ 14mA constantly discharge to 2.0V)
Standard discharge current: 14.0mA
Max. Continuous Discharge Current: 1000mA
Max. Pulse Discharge Current: 3000mA
Operating Temperature: $-20^\circ\text{C} \sim 60^\circ\text{C}$
Storage conditions
Temperature: $-20^\circ\text{C} \sim 45^\circ\text{C}$
Relative Humidity: $60 \pm 15\%$
Jacket : Aluminium Foil Label

Typical Temperature Characteristics



Typical Load Characteristics

