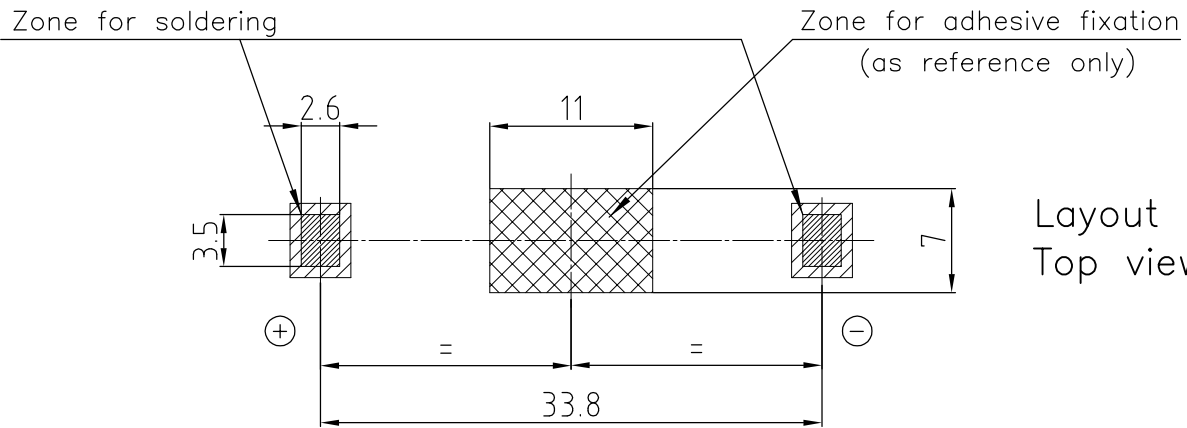
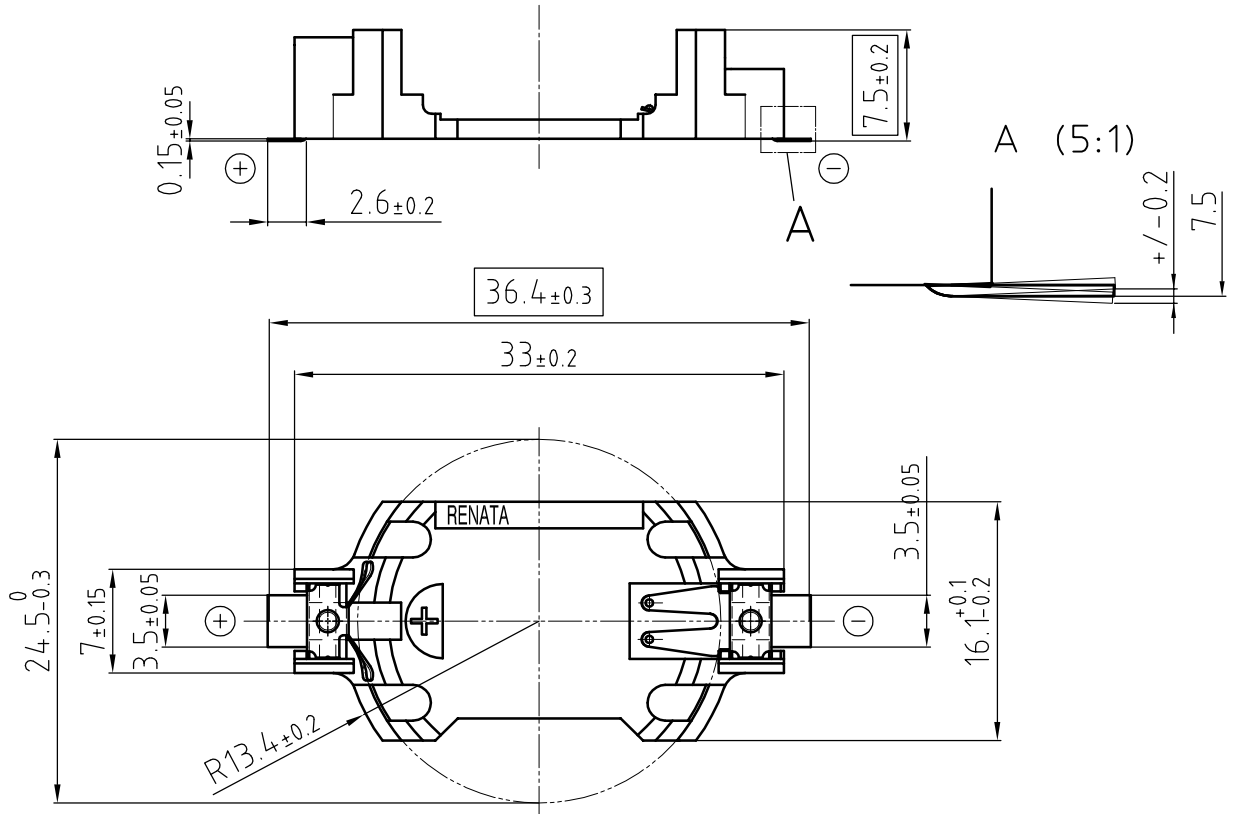


Art.-Number: 701118



Layout  
Top view

- Samples can deviate in the execution from the serie.

- Dimensions and tolerances can be specified only after the testing of the devices for the mass production definitely

- Holder material : heat resistant, glass-fiber reinforced LCP
- Battery contacts : spring stainless steel 301 nickel plated throughout
- Solder contacts : spring stainless steel 301 solder area tin-plated throughout, min. thickness 5µm

All framed values will be used for dimension checking !

Rev.	①	07.09.07	MCI	Rev.	④	15.09.10	Wu Ping		Customer's Approval		
Rev.	②	24.10.07	SRi	Rev.	○				Date		
Rev.	③	18.12.07	SRi	Rev.	○				Signature		
Titel:								Scale 2:1	Drawn	25.01.05	SRi
SMTU2450N-LF									Checked	16.09.10	SRi
									Approved		
				CH-4452 Itingen Switzerland				3.8762.4-4			