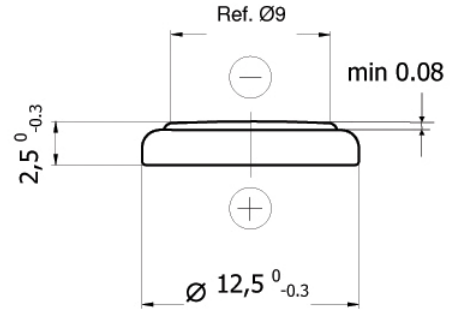


Specifications

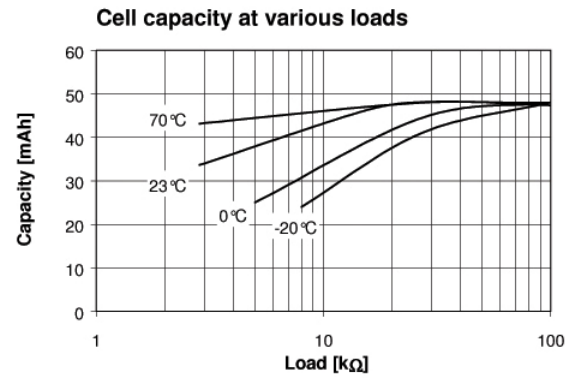
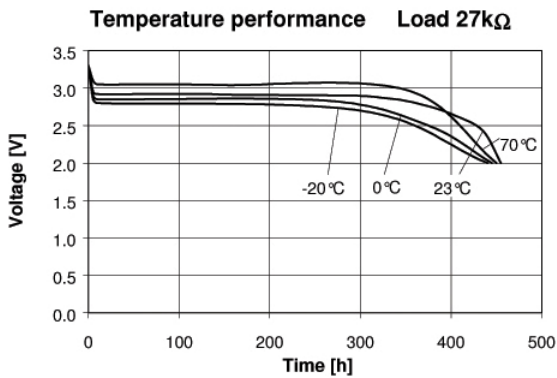
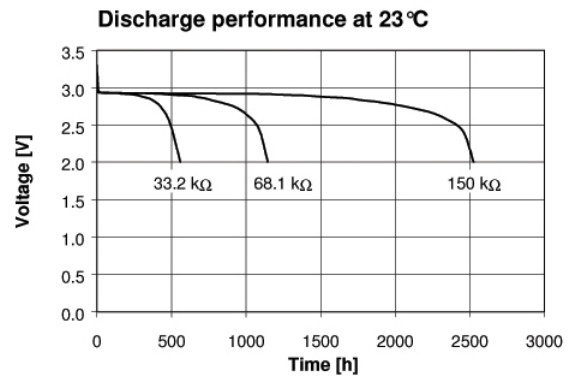
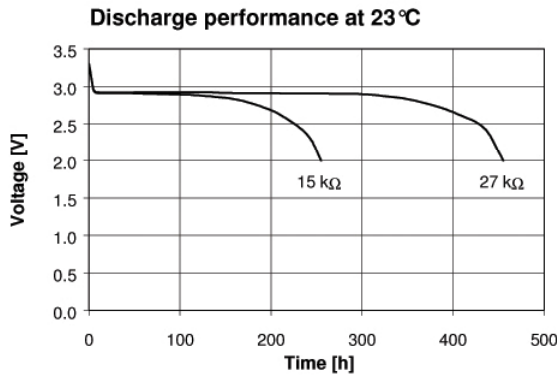
Chemical System	Li / MnO ₂
Nominal Voltage	3 V
Rated Capacity	48 mAh
Standard Discharge Current	0.1 mA
Max. Cont. Discharge Current	1.0 mA
Average Weight	0.9 g
Operating Temperature*	-40 - +85 °C
Self Discharge at 23 °C	< 1% / year

Dimensions

(According to IEC 60086)



Performance



No publication or circulation of data to third parties without consent of VARTA Consumer Batteries