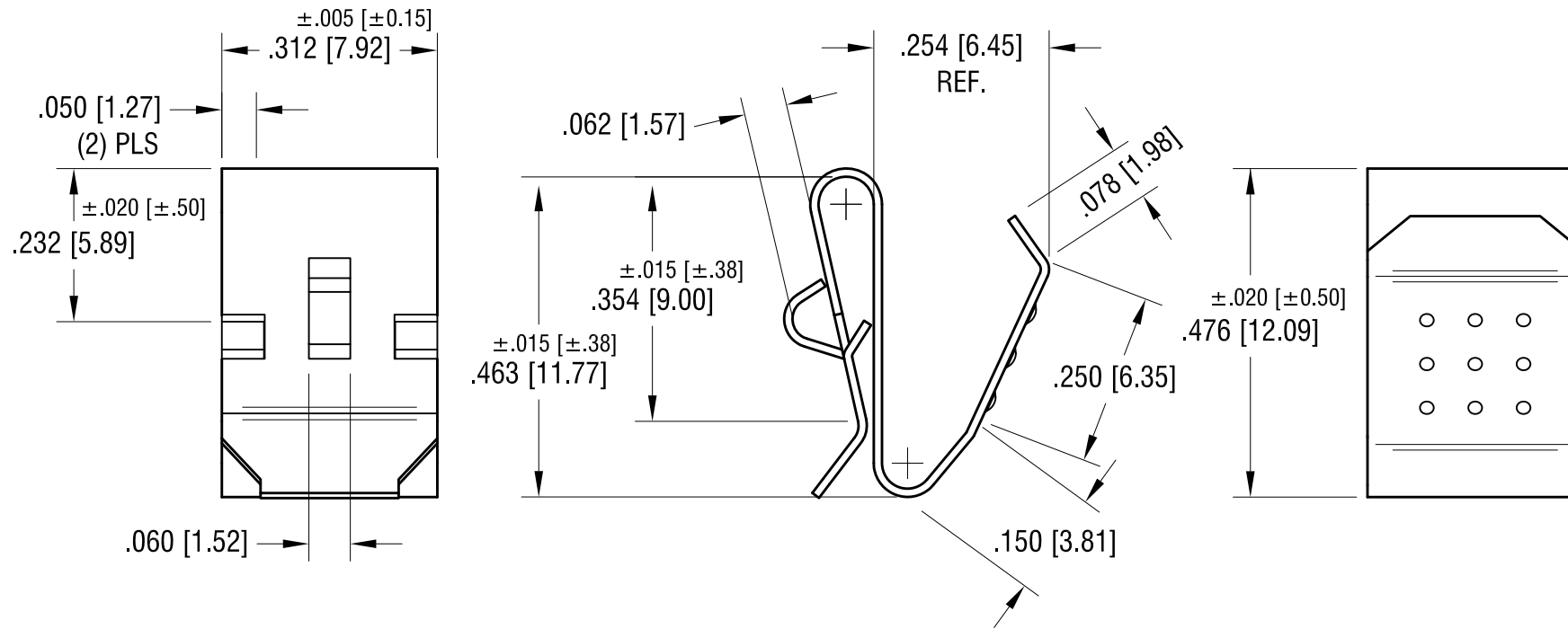
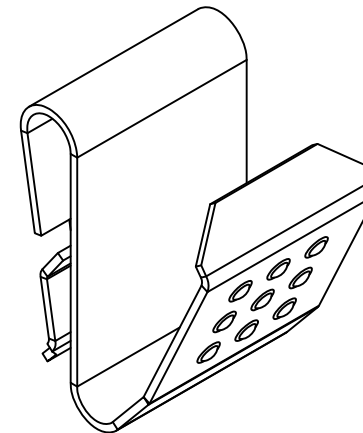


DATE	DESCRIPTION	REV.
12.23.04	CHANGE AS PER ECN 04-174	L
8.17.09	CHANGE AS PER ECN 09-117	M



NOTE:

1. HEAT TREAT TO SPRING TEMPER.
2. DESIGNED TO CLIP OVER PANELS FROM  $.060$  [ $1.52$ ] THRU  $.070$  [ $1.78$ ] TH'K.



PART NAME			
SINGLE 'A'-AA CONTACT			
MATERIAL			
.012 [.30] TH'K ANNEALED SPRING STEEL			
FINISH		DRN BY	DATE
NICKEL PLATE		BOONE	4.27.83
		APPD	SCALE
		LN	4X
TOLERANCES		INCH	[MM]
DECIMAL		$\pm .010$	[ $\pm 0.25$ ]
ANGULAR		$\pm 1^\circ$	
UNLESS OTHERWISE SPECIFIED		CODE	DWG NO.
		C	209