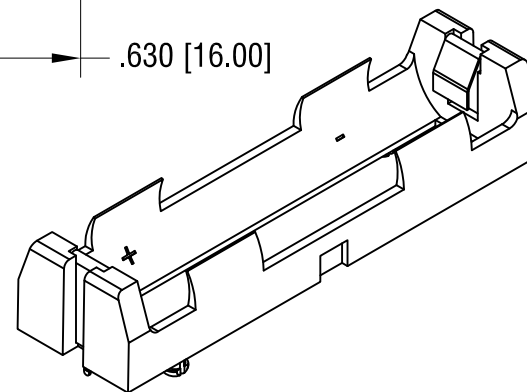
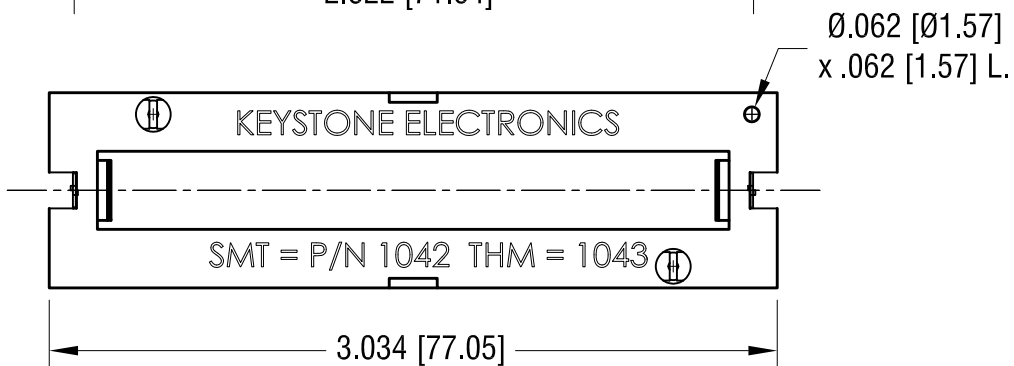
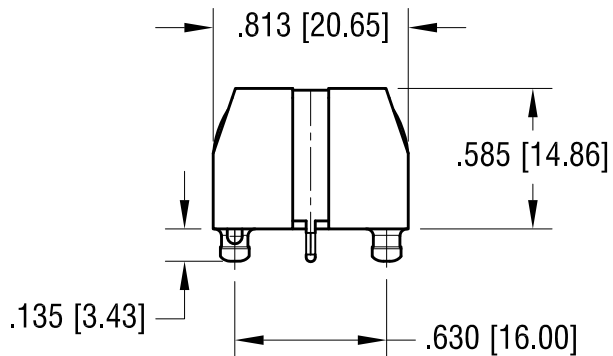
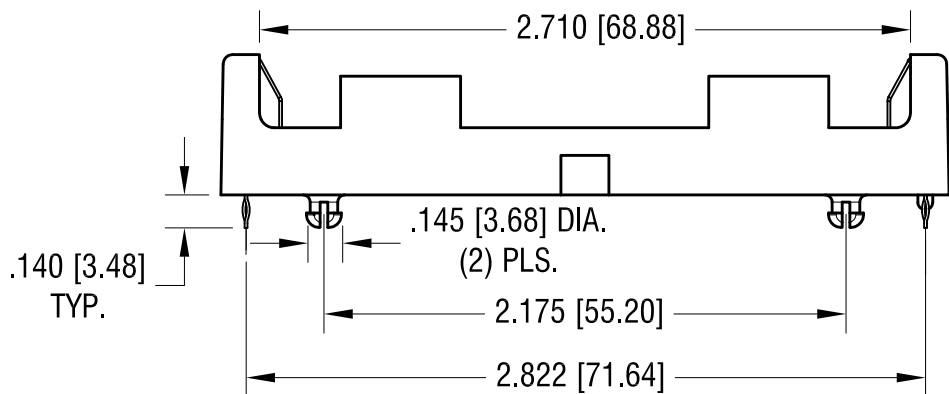
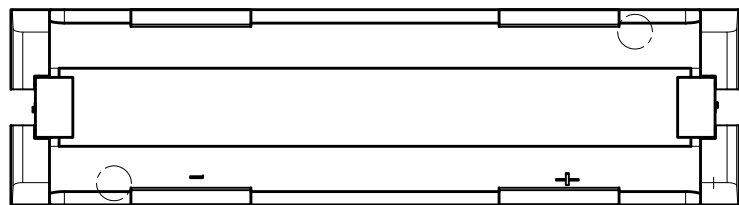
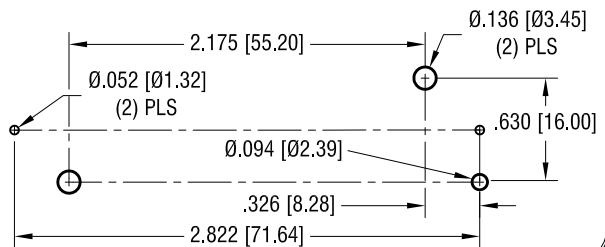


MOUNTING PAD LAYOUT



DATE	DESCRIPTION	REV.
8.24.10	CHANGE AS PER ECN 10-062	A
10.04.10	CHANGE AS PER ECN 10-069	B
10.26.10	CHANGE AS PER ECN 10-075	C
4.12.11	CHANGE AS PER ECN 11-049	D
10.08.13	CHANGE AS PER ECN 13-092	E

- NOTE:
- BASE:
MAT'L: HEAT RESISTANCE NYLON
STANYL 46 OR EQUIVALENT
 - CONTACT:
MAT'L: .012 [0.30] THK STAINLESS STEEL
FINISH: TIN NICKEL PLATE

THIS DOCUMENT IS THE PROPERTY OF KEYSTONE ELECTRONICS CORP. AND SHALL NOT BE REPRODUCED, DISTRIBUTED OR USED AS A BASIS FOR MANUFACTURE WITHOUT PRIOR WRITTEN PERMISSION FROM KEYSTONE ELECTRONICS CORP.

PART NAME			
THM BATTERY HOLDER BASE, 18650			
MATERIAL			
AS NOTED			
FINISH	DRN BY	DATE	
AS NOTED	NT	8.19.10	
	APPD	SCALE	
	LN	1.25X	
TOLERANCES	INCH	[MM]	CODE
DECIMAL	± .010	[± 0.25]	C
ANGULAR	± 1°		
UNLESS OTHERWISE SPECIFIED			DWG NO.
			1043