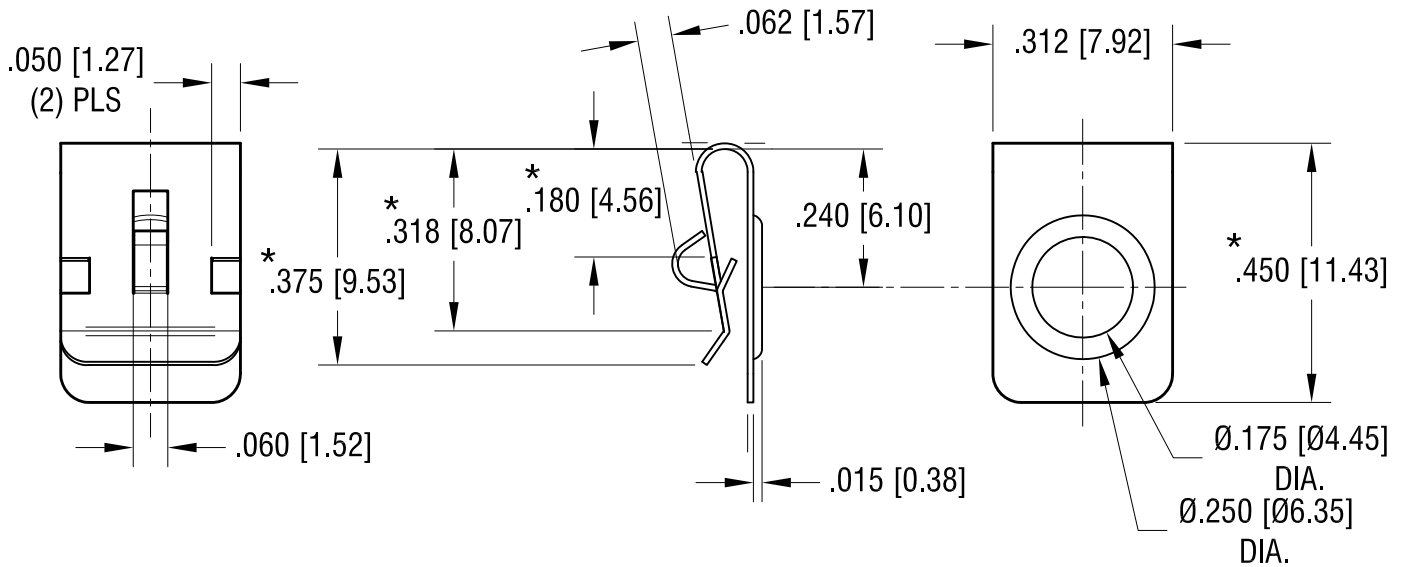
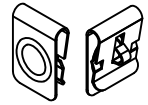


ACTUAL SIZE



NOTE:

1. HEAT TREAT TO SPRING TEMPER.
2. DESIGNED TO CLIP OVER PANEL FROM .060 [1.52] THRU .070 [1.78] TH'K
3. \* DENOTES  $\pm .015$  [ $\pm 0.38$ ] TOLERANCE

3.19.13	CHANGE AS PER ECN 13-028	H
8.14.12	ECN 12-104, CHANGE LOOP	G
3.23.07	CHANGE AS PER ECN 07-015	F
DATE	DESCRIPTION	REV.

<b>KEYSTONE ELECTRONICS CORP.</b>			
www.keyelco.com • ASTORIA, N.Y. 11105-2017 • Tel (718) 956-8900			
PART NAME		SINGLE 'A-AA' CONTACT	
MATERIAL		.010 [0.25] TH'K ANNEALED SPRING STEEL	
FINISH		DRN BY	DATE
NICKEL PLATE		BOONE	2.3.98
		APP'D	SCALE
TOLERANCES INCH [MM] DECIMAL $\pm .010$ [ $\pm 0.25$ ] ANGULAR $\pm 1^\circ$ UNLESS OTHERWISE SPECIFIED		LN	3X
		CODE	DWG NO.
		C	<b>228</b>