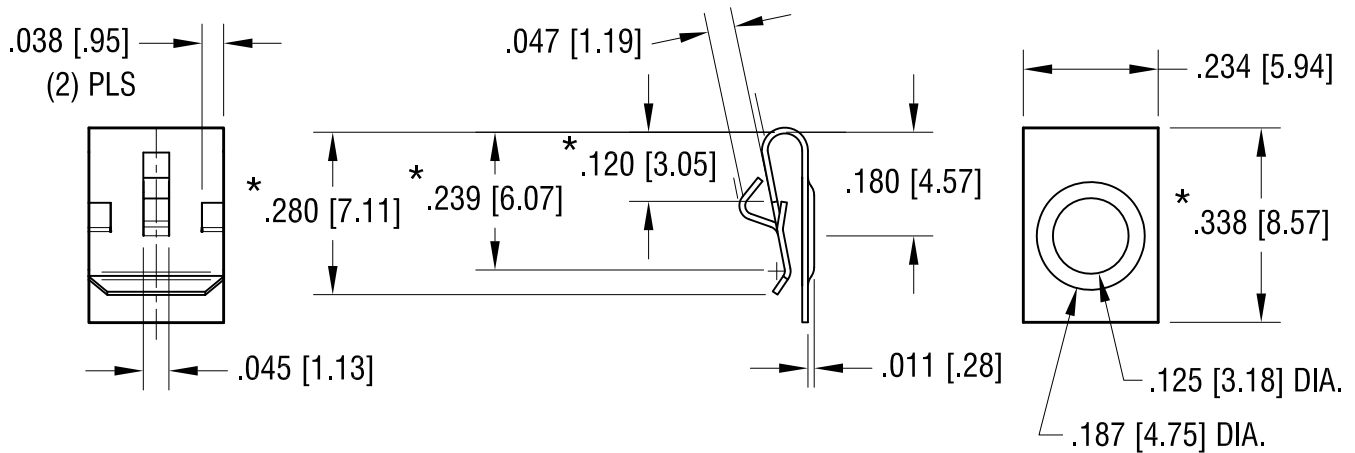


THIS DOCUMENT IS THE PROPERTY OF
KEYSTONE ELECTRONICS CORP. AND
SHALL NOT BE REPRODUCED, DISTRIBUTED
OR USED AS A BASIS FOR MANUFACTURE
WITHOUT PRIOR WRITTEN PERMISSION
FROM KEYSTONE ELECTRONICS CORP.

ACTUAL SIZE



NOTE:

1. HEAT TREAT TO SPRING TEMPER.
2. DESIGNED TO CLIP OVER PANELS
FROM .060 [1.52] THRU .070 [1.78] TH'K.
3. * DENOTES $\pm .015$ [$\pm .38$] TOLERANCE

8.26.13	CHANGE AS PER ECN13-067	C
5.20.03	CHANGE AS PER ECN 03-039	B
8.10.00	CHANGE AS PER ECN 00-080	A
DATE	DESCRIPTION	REV.

PART NAME				SINGLE 'AAA'-'AAAA' CONTACT			
MATERIAL				.010 [.25] TH'K ANNEALED SPRING STEEL			
FINISH		NICKEL PLATE		DRN BY	BOONE	DATE	5.24.99
				APP'D	LN	SCALE	3X
TOLERANCES		INCH [MM]		CODE		DWG NO.	
DECIMAL		$\pm .010$ [± 0.25]		C		238	
ANGULAR		$\pm 1^\circ$		UNLESS OTHERWISE SPECIFIED			