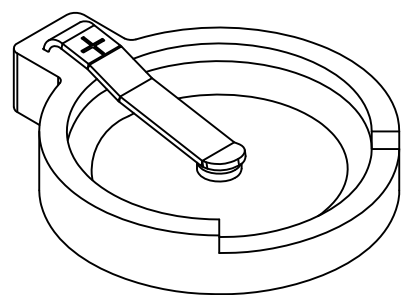
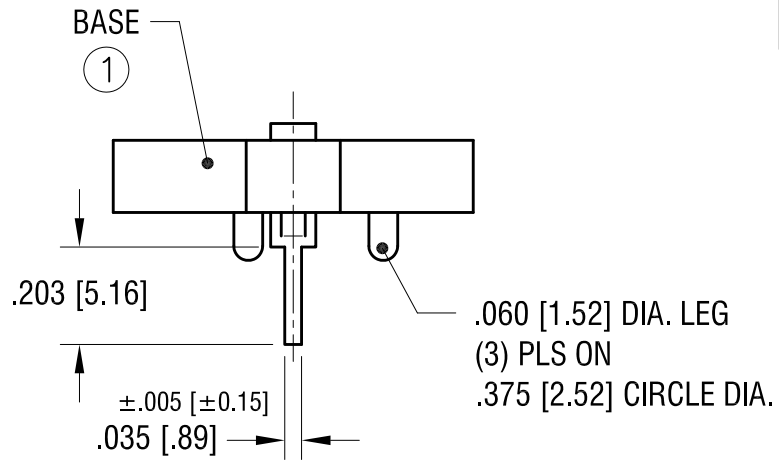
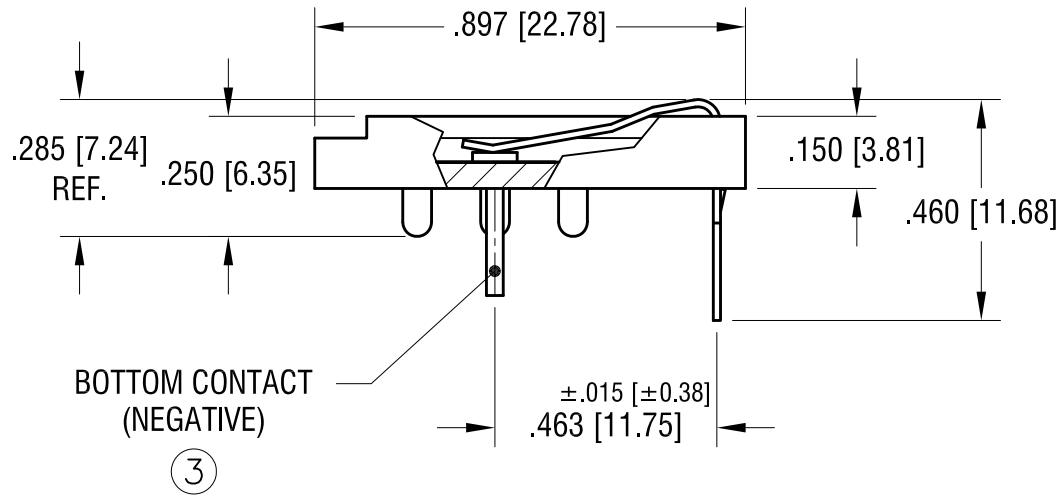
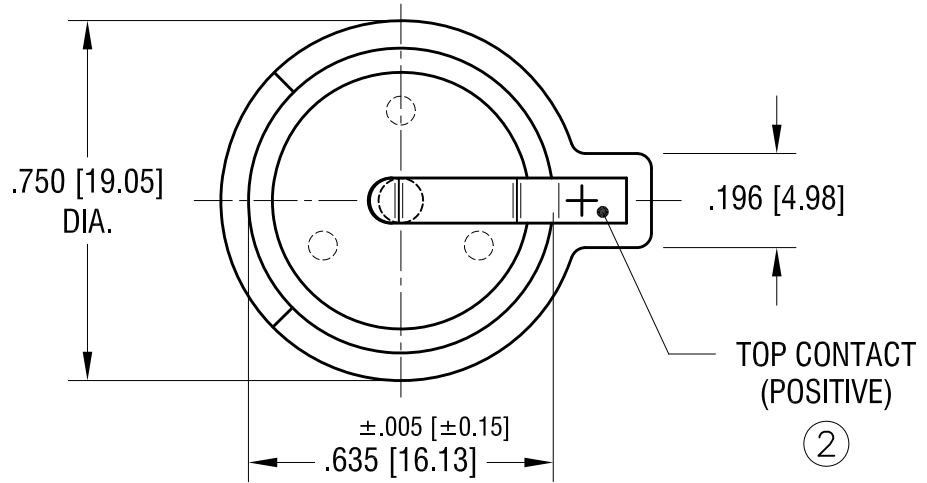
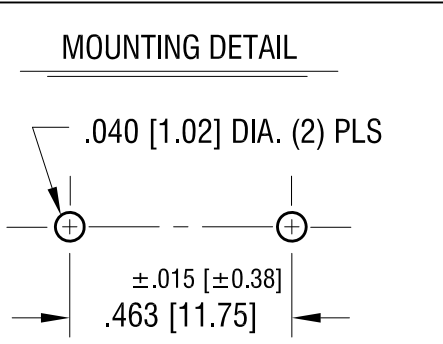


DATE	DESCRIPTION	REV.
2.9.05	CHANGE AS PER ECN 05-014	E
11.02.11	CHANGE AS PER ECN 11-143	F



THIS DOCUMENT IS THE PROPERTY OF KEYSTONE ELECTRONICS CORP. AND SHALL NOT BE REPRODUCED, DISTRIBUTED OR USED AS A BASIS FOR MANUFACTURE WITHOUT PRIOR WRITTEN PERMISSION FROM KEYSTONE ELECTRONICS CORP.



ITEM	DESCRIPTION/MATERIAL
(1)	BASE, BLACK PBT (UL 94V-0)
(2)	TOP CONTACT .015 [0.38] TH'K SPRING STEEL
(3)	BOTTOM CONTACT .035 [0.89] DIA. STEEL

PART NAME		16mm PC BATTERY HOLDER	
MATERIAL		AS NOTED	
FINISH	AS NOTED	DRN BY	BOONE
		DATE	1.4.91
TIN NICKEL PLATE	AS NOTED	APPD	LN
		SCALE	2.5X
TOLERANCES	INCH [MM]	CODE	DWG NO.
DECIMAL	± .010 [± 0.25]	C	502
ANGULAR	± 1°		
UNLESS OTHERWISE SPECIFIED			