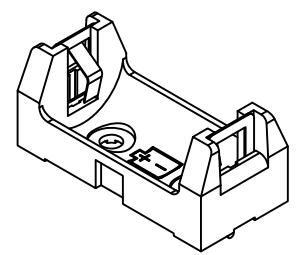
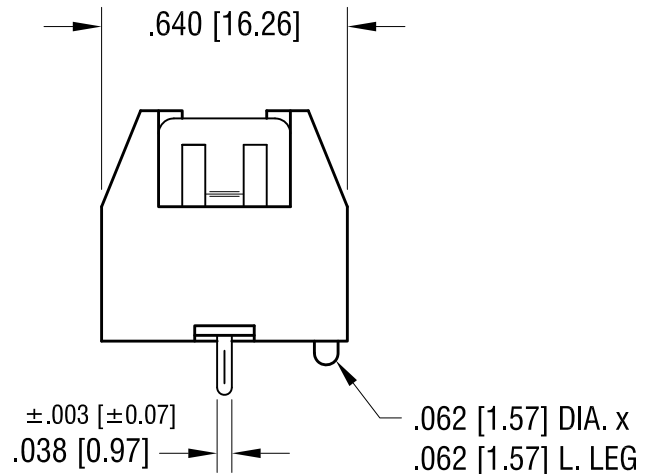
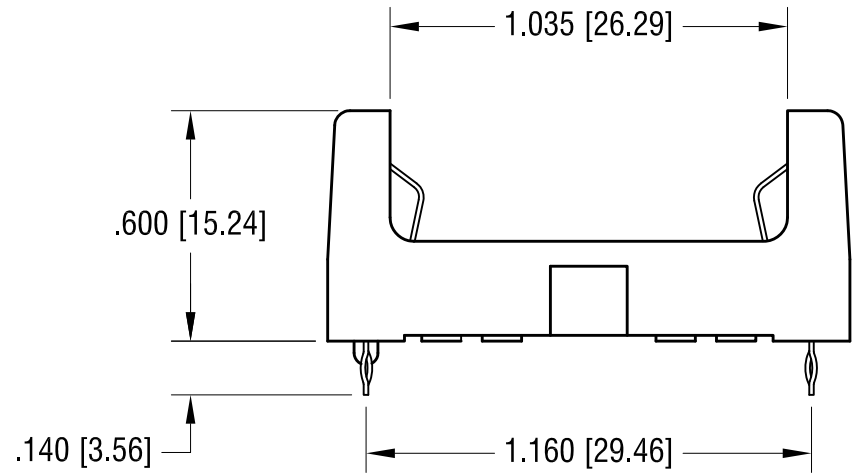
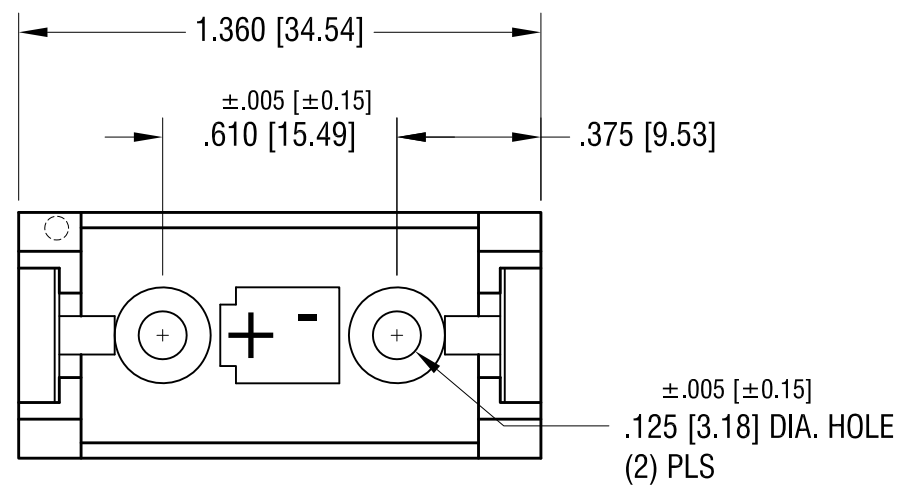
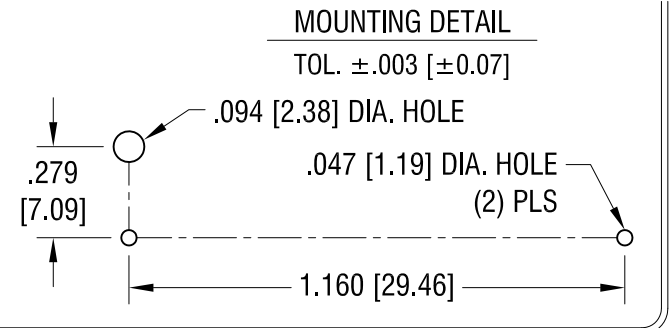


DATE	DESCRIPTION	REV.
9.30.96	REDRAWN	B
6.25.10	CHANGE AS PER ECN 10-048	C



THIS DOCUMENT IS THE PROPERTY OF KEYSTONE ELECTRONICS CORP. AND SHALL NOT BE REPRODUCED, DISTRIBUTED OR USED AS A BASIS FOR MANUFACTURE WITHOUT PRIOR WRITTEN PERMISSION FROM KEYSTONE ELECTRONICS CORP.

NOTE:
 1. BASE:
 MAT'L: BLACK VALOX, UL 94V-0.
 2. CONTACT:
 MAT'L: .012 [0.30] THK STAINLESS STEEL.
 FINISH: TIN NICKEL PLATE.

PART NAME				PC BATTERY HOLDER, 1/2 AA	
MATERIAL				AS NOTED	
FINISH		DRN BY	BOONE	DATE	9.30.96
AS NOTED		APPD	LN	SCALE	2X
TOLERANCES	INCH	[MM]	CODE	DWG NO.	
DECIMAL	$\pm .010$	[± 0.25]	C	108	
ANGULAR	$\pm 1^\circ$				