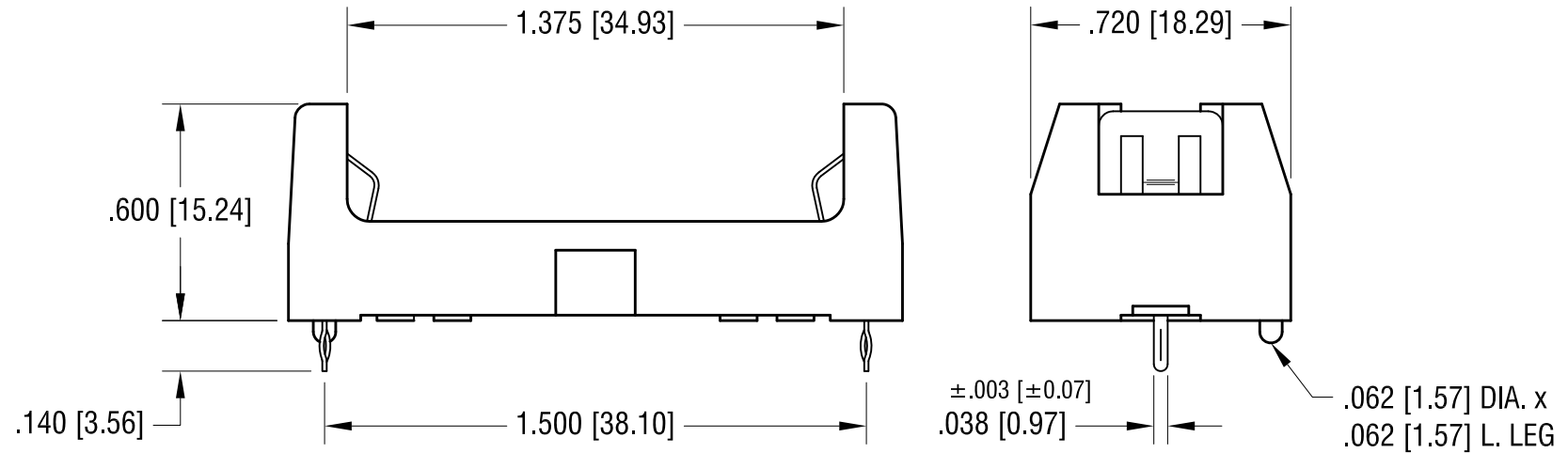
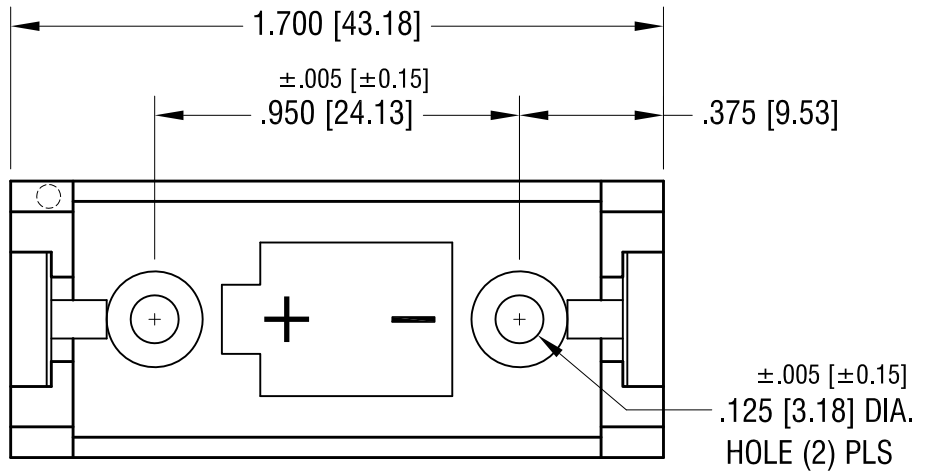
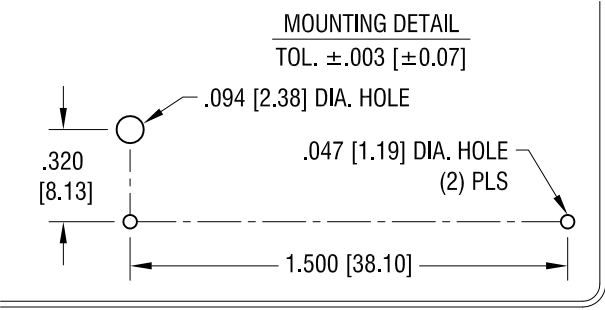
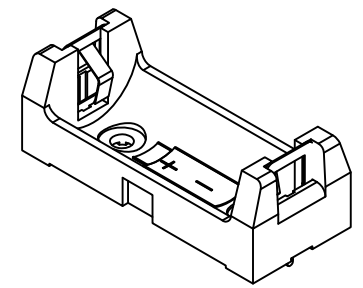


DATE	DESCRIPTION	REV.
3.11.03	CHANGE AS PER ECN 03-023	A
6.25.10	CHANGE AS PER ECN 10-49	B



NOTE:
 1. BASE:
 MAT'L: PBT, BLACK UL 94V-0.
 2. CONTACT:
 MAT'L: .012 [0.30] THK STAINLESS STEEL.
 FINISH: TIN NICKEL PLATE.



THIS DOCUMENT IS THE PROPERTY OF KEYSTONE ELECTRONICS CORP. AND SHALL NOT BE REPRODUCED, DISTRIBUTED OR USED AS A BASIS FOR MANUFACTURE WITHOUT PRIOR WRITTEN PERMISSION FROM KEYSTONE ELECTRONICS CORP.

PART NAME				PC BATTERY HOLDER, 2/3A	
MATERIAL				AS NOTED	
FINISH		DRN BY	BOONE	DATE	9.30.96
AS NOTED		APPD	LN	SCALE	2X
TOLERANCES	INCH [MM]	CODE	DWG NO.		
DECIMAL	± .010 [± 0.25]	C	1029		
ANGULAR	± 1°				
UNLESS OTHERWISE SPECIFIED					