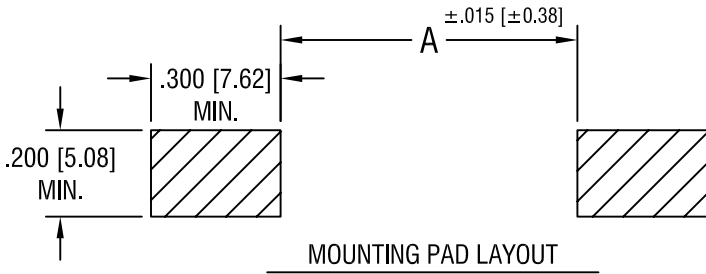
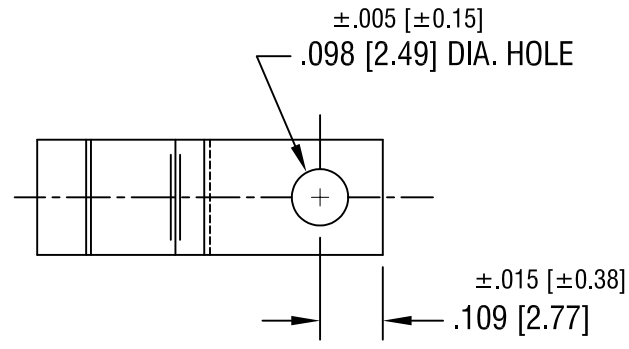
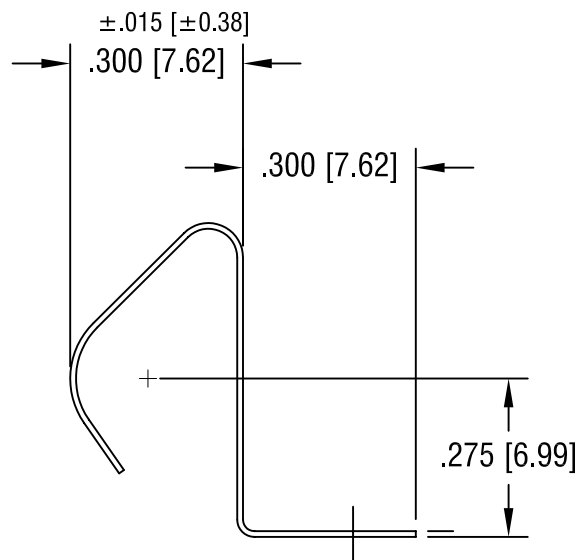
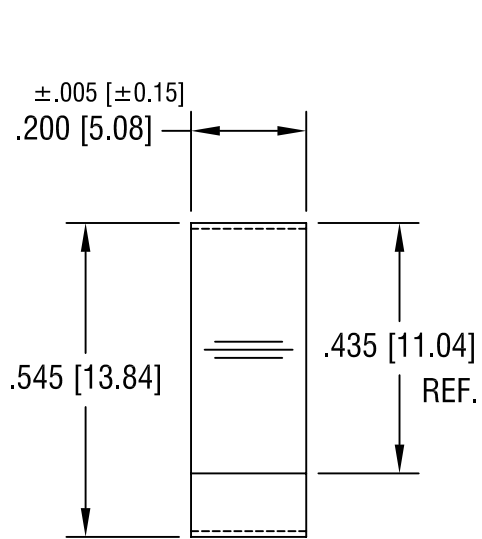


THIS DOCUMENT IS THE PROPERTY OF KEYSTONE ELECTRONICS CORP. AND SHALL NOT BE REPRODUCED, DISTRIBUTED OR USED AS A BASIS FOR MANUFACTURE WITHOUT PRIOR WRITTEN PERMISSION FROM KEYSTONE ELECTRONICS CORP.



FOR BATTERY SIZE:	'A' DIM.
A	2.170 [55.12]
AA	2.380 [60.45]



NOTE:  
1. HEAT TREAT TO SPRING TEMPER.

PART NAME			
BATTERY CONTACT, SURFACE MOUNT			
MATERIAL			
.010 [.25] TH'K ANNEALED SPRING STEEL			
FINISH		DRN BY	DATE
TIN NICKEL PLATE		BOONE	3.16.98
		APP'D	SCALE
		LN	3X
TOLERANCES		DWG NO.	
INCH	[MM]		
DECIMAL	±.010 [±0.25]		
ANGULAR	± 1°		
UNLESS OTHERWISE SPECIFIED			
CODE	5231		
C			

8.17.04	CHANGE AS PER ECN 04-058	D
DATE	DESCRIPTION	REV.