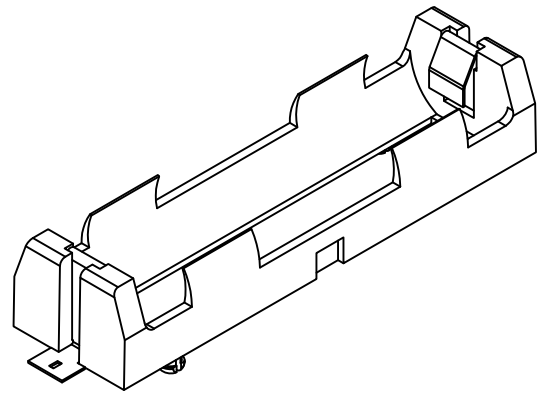
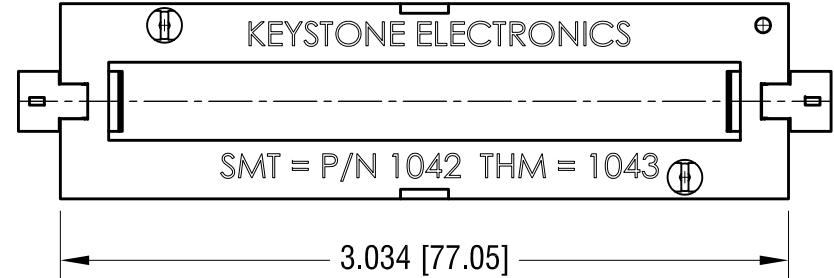
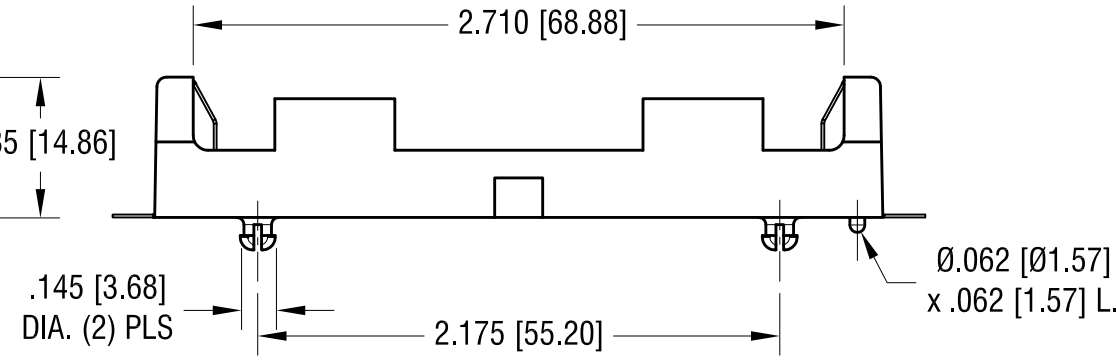
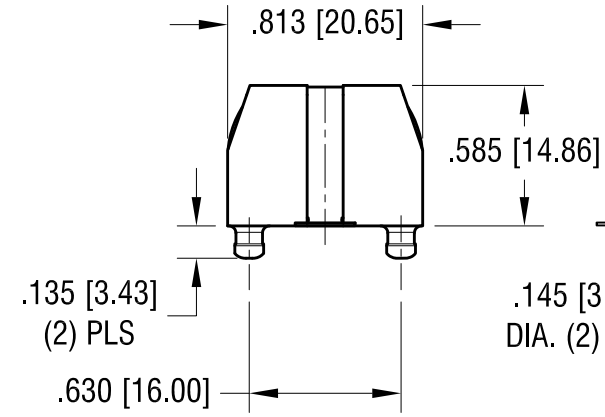
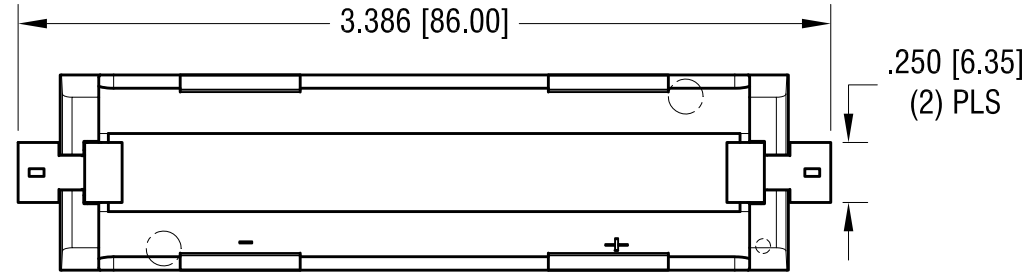
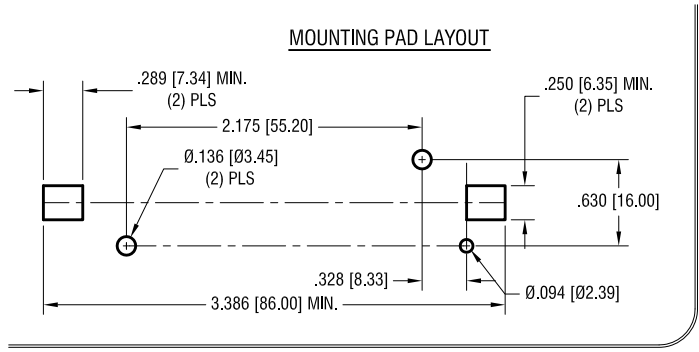


DATE	DESCRIPTION	REV.
10.24.10	AS PER ECN 10-062	A
10.04.10	CHANGE AS PER ECN 10-069	B
10.26.10	CHANGE AS PER ECN 10-075	C
4.12.11	CHANGE AS PER ECN 11-049	D



NOTE:  
 1. BASE:  
 MAT'L: HEAT RESISTANCE NYLON  
 STANYL 46 OR EQUIVALENT  
 2. CONTACT:  
 MAT'L: .012 [0.30] THK PHOSPHOR BRONZE  
 FINISH: GOLD FLASH, OVER NICKEL PLATE

THIS DOCUMENT IS THE PROPERTY OF  
 KEYSTONE ELECTRONICS CORP. AND  
 SHALL NOT BE REPRODUCED, DISTRIBUTED  
 OR USED AS A BASIS FOR MANUFACTURE  
 WITHOUT PRIOR WRITTEN PERMISSION  
 FROM KEYSTONE ELECTRONICS CORP.

PART NAME				PC BATTERY HOLDER , 18650	
MATERIAL				AS NOTED	
FINISH		DRN BY	DATE	AS NOTED	
AS NOTED		NT	8.19.10		
		APPD	SCALE		
		LN	1.25X		
TOLERANCES	INCH	[MM]	CODE	DWG NO.	
DECIMAL	± .010	[± 0.25]	C	1042	
ANGULAR	± 1°		UNLESS OTHERWISE SPECIFIED		