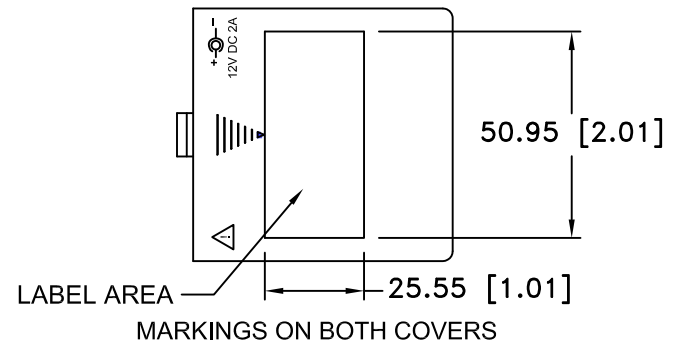
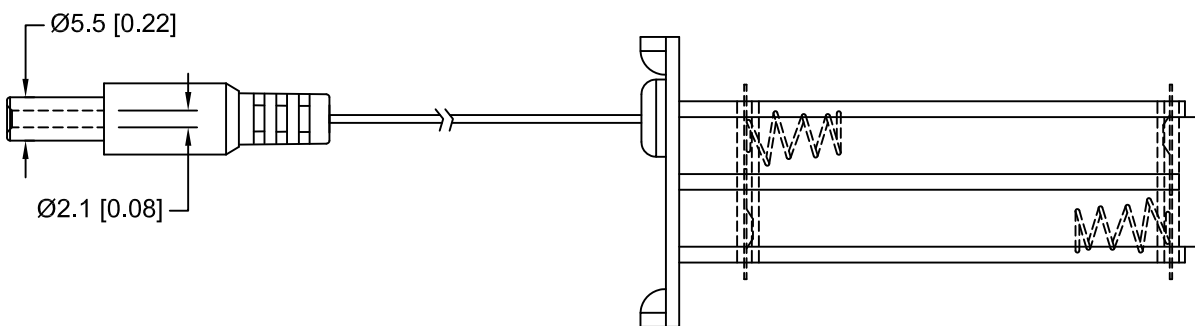
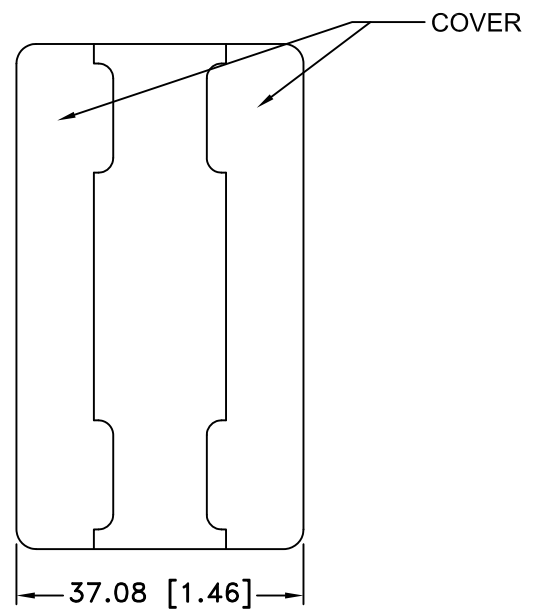
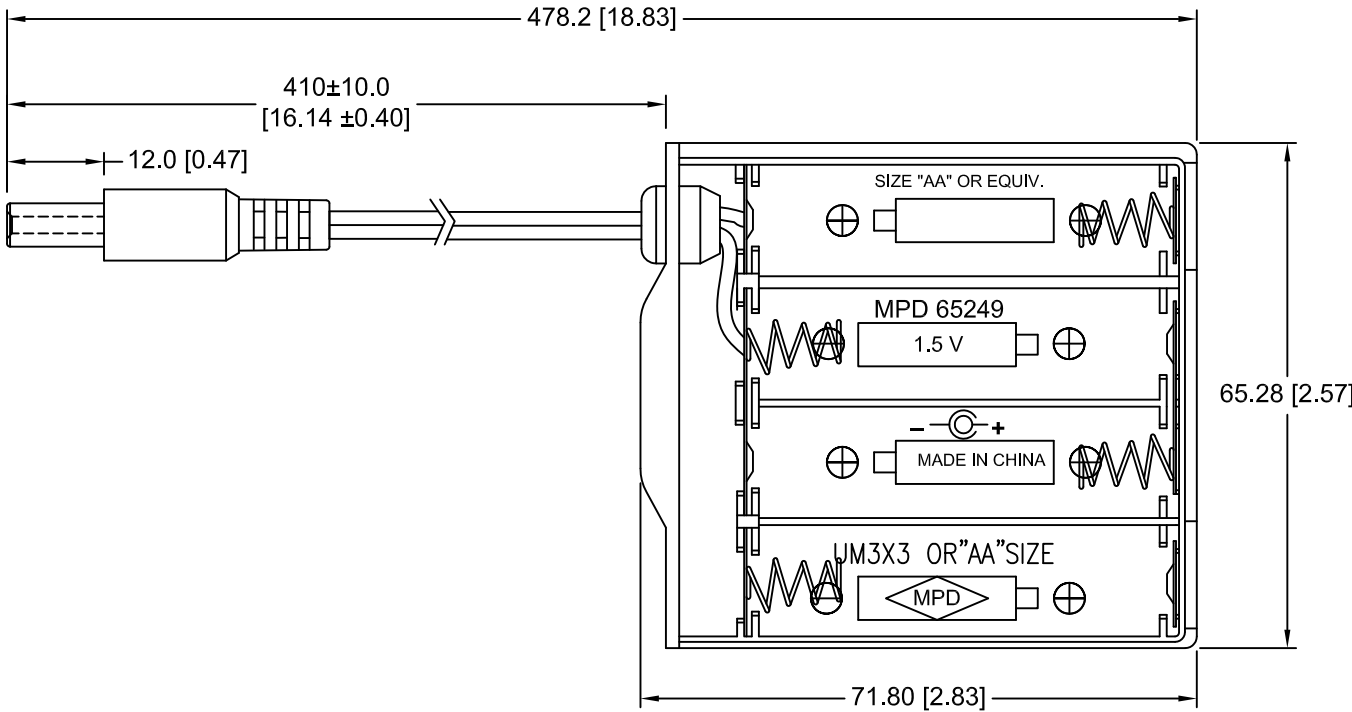


Date	SYM	REVISION RECORD	AUTH	DR.	CK.
07/09/09	C	DIM. 12.0 WAS 11.5. DIM. 410.0 WAS 406.4. 26 AWG WAS 24AWG	T.B.	B.S.	
10/10/14	D	UPDATED TO ROHS 2 COMPLIANT	T.B.	B.S.	



NOTES:  
 1. MATERIAL:  
 HOUSING : BLACK POLYPROPYLENE, UL94V-0, 2% TO 5%TALC FILLED  
 SPRING: SPRING STEEL, NICKEL PLATED  
 CONTACTS: SPRING STEEL, NICKEL PLATED  
 WIRE: 26AWG, BLACK FOR POSITIVE TERMINAL, BLACK W/WHITE TRACER FOR NEGATIVE TERMINAL  
 ROHS 2 COMPLIANT

Tolerance (Except as noted)			
decimal ±.5 (.020)		Scale	Drawn By B.S.
Fractional ± .8 (.030)	Title	Approved By T.B.	
Angular ± 3°	Date 10/10/14	Drawing Number BK-030	

EIGHT "AA" CELL HOLDER WITH COVERS