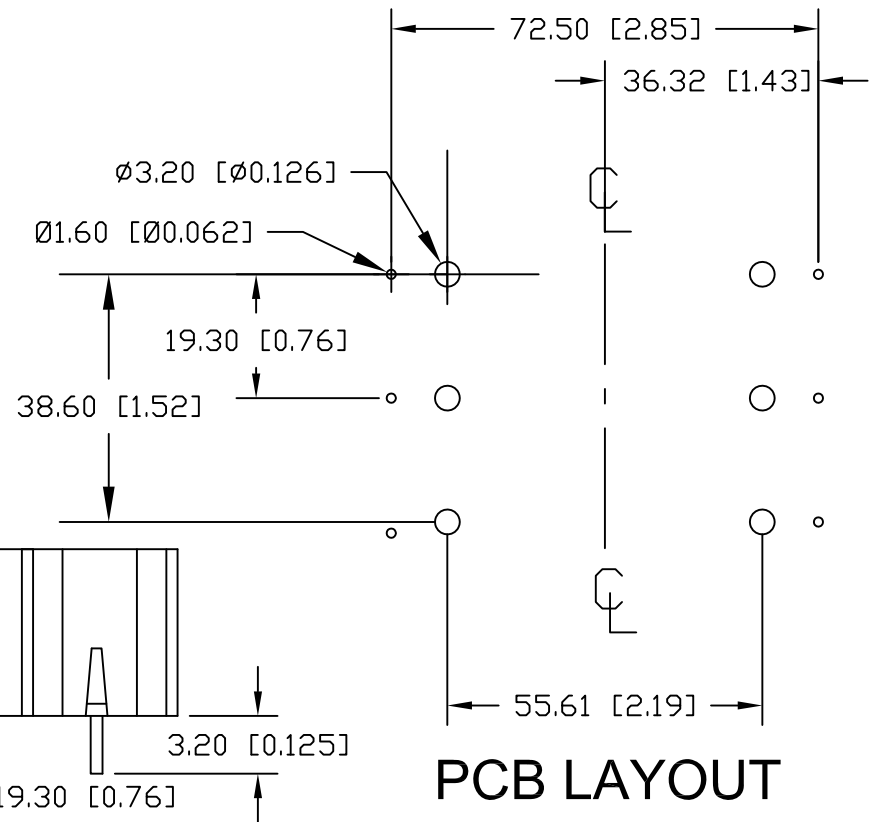
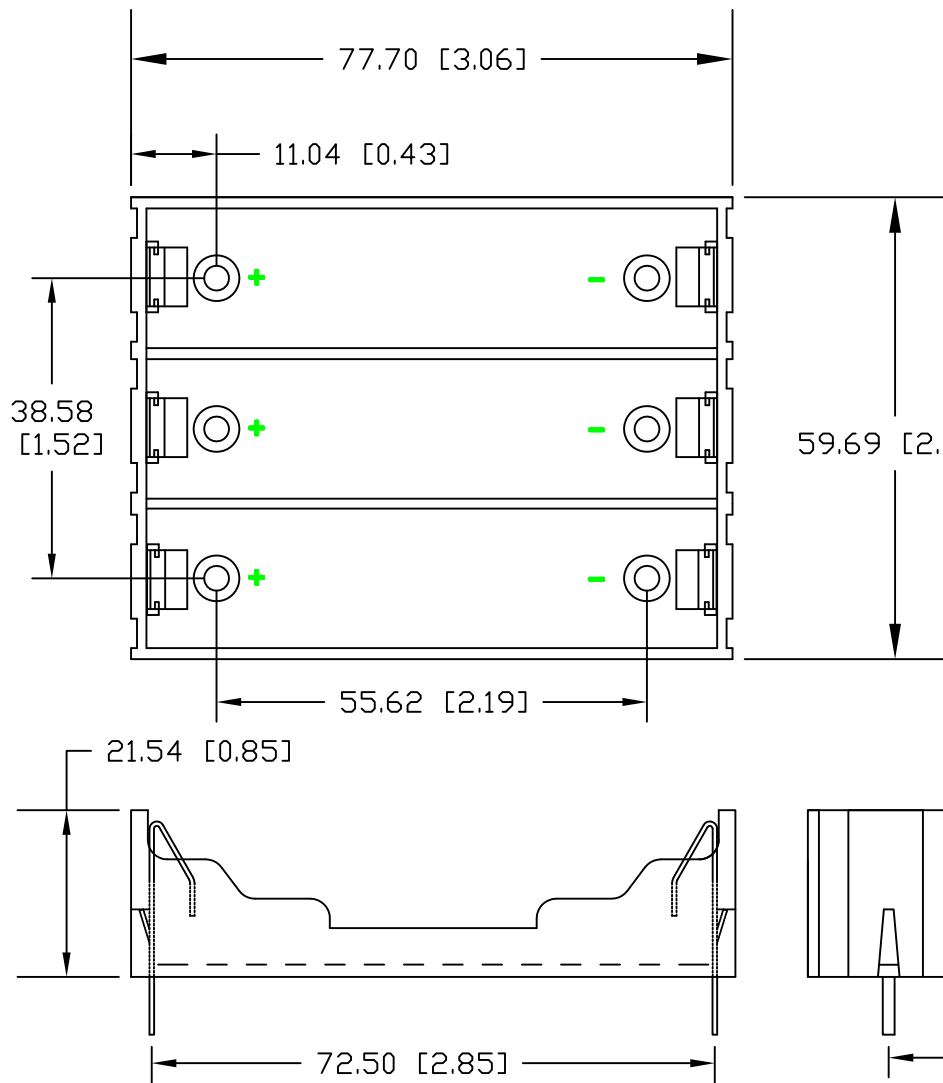



Date	SYM	REVISION RECORD	AUTH	DR.	CK.
1/15/10	C	REDESIGNED	T B	B S	
1/29/10	D	Added window to lock contacts in place	T B	B S	
6/18/10	E	Removed board locking feature from pins	T B	B S	
09/16/11	F	Updated notes	T B	B S	
10/26/12	G	Dim. Ø1.60 was Ø1.19	T B	B S	
10/03/14	H	UPDATED TO ROHS 2 COMPLIANT	T.B.	B.S.	



PCB LAYOUT

NOTES:

Material: Self-extinguishing Thermoplastic Polyester, color black
 Temperature Range: -40°C to +180°C
 Contacts: 302 Stainless Steel Spring Temper, Nickel Plated
 Flammability Rating: UL 94V-0
 Dielectric Strength: 560 Volts/Mil. at 25°C for 5 Sec.
 Resistance to Solvents: Xylene, ethyl, butyl, methyl & toluene
 Weight: 29.07g.
 ROHS 2 COMPLIANT

Tolerance (Inches)	 Memory Protection Devices, Inc 200 Broad Hollow Road, Farmingdale, New York 11735		
Decimal ±.5 (.020)	Scale	Drawn By B.S. Approved By T.B.	
Fractional ±.8 (.030)	Title THREE 18650 LI-ION CELL HOLDER		
Angular ± 3°	Date 10/03/14	Drawing Number BK-18650-PC6	