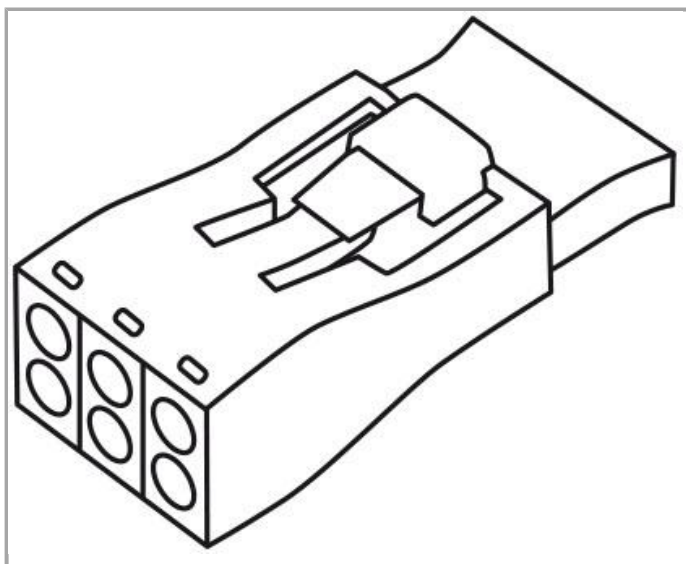


RoHS Compliant [BOMcheck.net](https://www.bomcheck.net)



Data
Electrical data

Ratings per IEC/EN 60664-1

Ratings according to 2	EN 61984
Legend (ratings)	(II / 2) ≙ Overvoltage category II / Pollution degree 2

Connection data

Connection technology	PUSH WIRE®
Actuation type	Push-in
Connectable conductor materials	Copper Aluminum
Solid conductor	0.75 ... 0 mm ² / 18 ...
Stranded conductor	1.5 ... 4 mm ² / 16 ... 12 AWG
Strip length	11 ... 13 mm / 0.43 ... 0.51 Inch
Solid conductor (2)	male part 0.0 ... 0.0 mm ² / ... AWGfemale part 0.75 mm ² / 18 AWG
Strip length (2)	9 ... 11 mm / 0.35 ... 0.43 Inch
No. of poles	3
Total number of connection points	6
Total number of potentials	3

Geometrical Data

Width	19 mm / 0.748 inch
Height	13.2 mm / 0.52 inch
Depth	42 mm / 1.654 inch

Material Data

Fire load	0.144 MJ
Weight	6.92 g

Commercial data

Country of origin	CN
GTIN	4045454671815
Customs Tariff No.	85366990990
Product Group	8 (Misc. Chassis Mount Blocks)

Approvals / Certificates

Country specific Approvals

Logo	Approval	Certificate name
	CCA DEKRA Certification B.V.	NTR NL-7390

	CCA DEKRA Certification B.V.	2178521.01
	CCA DEKRA Certification B.V.	2178521.02
	CCA DEKRA Certification B.V.	NTR NL-7391
	CSA DEKRA Certification B.V.	1961671
UL-Approvals		
Logo	Approval	Certificate name
	UL UL International Germany GmbH	E313353

Downloads

Documentation

Bid Text

873-903	Oct 20, 2017	DOC 24.6 kB	Download
---------	--------------	----------------	----------

smartDATA

CAD data

3D Download 873-903	URL	Download
---------------------	-----	----------

Subject to changes.