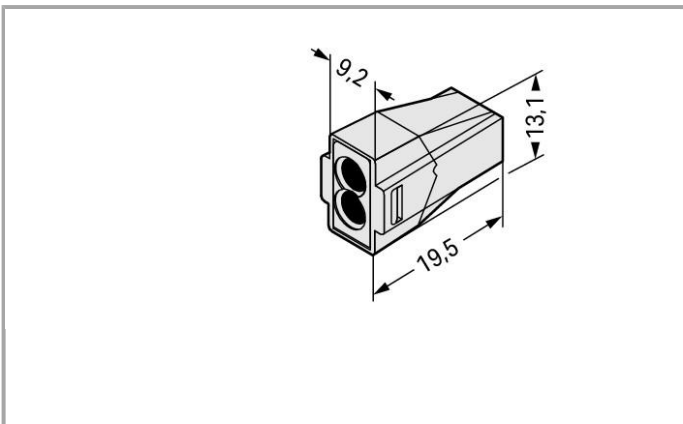


Data sheet | Item number: 773-492

PUSH WIRE® connector for junction boxes; 2-conductor terminal block;
suitable for Ex e II applications



www.wago.com/773-492



Data

Electrical data

Rated voltage EN (Ex e II)

550 V

Ratings per IEC/EN 60664-1

Rated current	24 A
---------------	------

Connection data

Connection technology	PUSH WIRE®
Actuation type	Push-in
Connectable conductor materials	Copper
Solid conductor	0.75 ... 2.5 mm ² / 18 ... 14 AWG
Strip length	12 mm / 0.47 Inch
Total number of connection points	2
Total number of potentials	1
Type of wiring	Side-entry wiring

Geometrical Data

Width	9.2 mm / 0.362 inch
Height	13.1 mm / 0.516 inch
Depth	19.5 mm / 0.768 inch

Material Data

Color	light gray
Cover color	light gray
Flammability class per UL94	V2
Fire load	0.039 MJ
Weight	1.595 g

Environmental Requirements

Surrounding air (operating) temperature	60 °C
---	-------

Commercial data

Country of origin	CN
GTIN	4055143026420
Customs Tariff No.	85369010000
Product Group	7 (Push Wire Conn.)

Approvals / Certificates

Ex-Approvals

Logo	Approval	Certificate name
	ATEX	DEMKO 03 ATEX 131845U (II 2 G Ex eIIc Gb)



UL International Demko A/S

UL-Approvals

Logo	Approval	Certificate name
 WIRE CONNECTOR 667F	UL UL International Germany GmbH	E69654

Compatible products

Mounting adapter



Item no.: 773-331

Mounting carrier; for Ex applications; 773 Series - 2.5 mm² / 6 mm²; for DIN-35 rail mounting/screw mounting

www.wago.com/773-331

Downloads

Documentation

Bid Text

773-492	Oct 19, 2017	DOC 25.6 kB	Download
---------	--------------	----------------	----------

smartDATA

CAD data

3D Download 773-492	URL	Download
---------------------	-----	----------

Subject to changes.