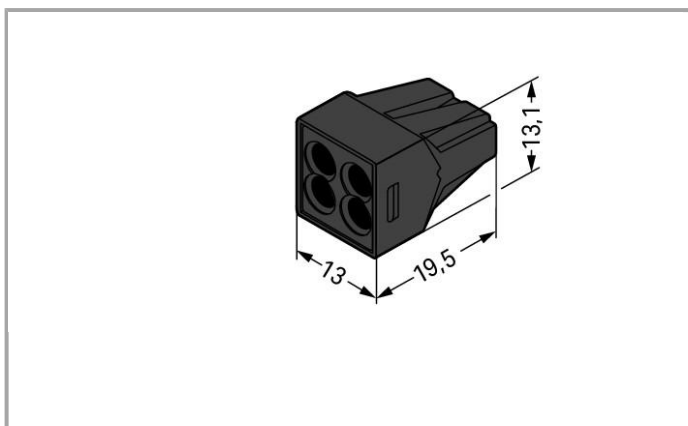


Data sheet | Item number: 773-514

PUSH WIRE® connector for junction boxes; 4-conductor terminal block;  
Continuous service temperature 150°C



[www.wago.com/773-514](http://www.wago.com/773-514)



Data

Electrical data



### Ratings per IEC/EN 60664-1

Rated voltage (II / 2)	400 V
Rated impulse voltage (II / 2)	4 kV
Rated current	24 A
Legend (ratings)	(II / 2) $\hat{=}$ Overvoltage category II / Pollution degree 2

### Connection data

Connection technology	PUSH WIRE <sup>®</sup>
Actuation type	Push-in
Connectable conductor materials	Copper Aluminum
Solid conductor	0.75 ... 2.5 mm <sup>2</sup> / 18 ... 12 AWG
Stranded conductor	1.5 ... 2.5 mm <sup>2</sup> / 16 ... 12 AWG
Strip length	12 mm / 0.47 Inch
Total number of connection points	4
Total number of potentials	1
Type of wiring	Side-entry wiring

### Geometrical Data

Width	13 mm / 0.512 inch
Height	13.1 mm / 0.516 inch
Depth	19.5 mm / 0.768 inch

### Material Data

Color	black
Cover color	black
Flammability class per UL94	V2
Weight	2.111 g

### Environmental Requirements

Surrounding air (operating) temperature	105 °C
---	--------

### Commercial data

Country of origin	CN
GTIN	4045454259433
Customs Tariff No.	85369010000
Product Group	7 (Push Wire Conn.)

## Approvals / Certificates

### Country specific Approvals


Logo	Approval	Certificate name
	CSA DEKRA Certification B.V.	1053495

### UL-Approvals

Logo	Approval	Certificate name
	UL UL International Germany GmbH	E69654

## Compatible products

### Mounting adapter

	Item no.: 773-332 Mounting carrier; 773 Series - 2.5 mm <sup>2</sup> / 4 mm <sup>2</sup> / 6 mm <sup>2</sup> ; for DIN-35 rail mounting/screw mounting	<a href="http://www.wago.com/773-332">www.wago.com/773-332</a>
---	---	--

### General accessories

	Item no.: 249-130 Syringe; Contents: 20 ml Alu-Plus contact paste	<a href="http://www.wago.com/249-130">www.wago.com/249-130</a>
--	--	--

## Downloads

### Documentation

#### Bid Text

773-514	Oct 19, 2017	DOC 25.6 kB	Download
---------	--------------	----------------	----------

## smartDATA

### CAD data

3D Download 773-514	URL	Download
---------------------	-----	----------



Subject to changes.

---

WAGO Kontakttechnik GmbH & Co. KG  
Hansastr. 27  
32423 Minden  
Phone: +49571 887-0 | Fax: +49571 887-169  
Email: [info.de@wago.com](mailto:info.de@wago.com) | Web: [www.wago.com](http://www.wago.com)

Do you have any questions about our products?  
We are always happy to take your call at +49 (571) 887-44222.