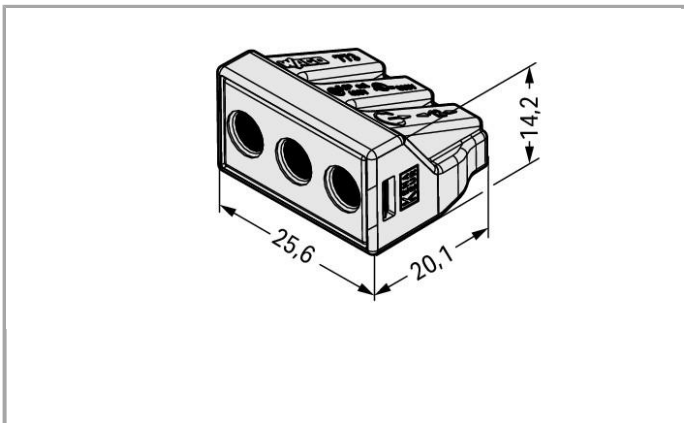


Data sheet | Item number: 773-493

PUSH WIRE® connector for junction boxes; 3-conductor terminal block;
suitable for Ex e II applications



www.wago.com/773-493



Data

Electrical data

Rated voltage EN (Ex e II) 550 V

Ratings per IEC/EN 60664-1

Rated current 42 A

Connection data

Connection technology	PUSH WIRE®
Actuation type	Push-in
Connectable conductor materials	Copper
Solid conductor	2.5 ... 6 mm ² / 14 ... 10 AWG
Strip length	12 ... 15 mm / 0.47 ... 0.59 Inch
Total number of connection points	3
Total number of potentials	1
Type of wiring	Side-entry wiring

Geometrical Data

Width	25.6 mm / 1.008 inch
Height	14.2 mm / 0.559 inch
Depth	20.1 mm / 0.791 inch

Material Data

Color	light gray
Cover color	light gray
Flammability class per UL94	V2
Fire load	0.113 MJ
Weight	5.75 g

Environmental Requirements


Surrounding air (operating) temperature	60 °C
---	-------

Commercial data

Country of origin	CN
GTIN	4055143287593
Customs Tariff No.	85369010000
Product Group	7 (Push Wire Conn.)

Approvals / Certificates

Ex-Approvals


Logo	Approval	Certificate name
	ATEX UL International Demko A/S	DEMKO 03 ATEX 131845U (II 2 G Ex eIIc Gb)

UL-Approvals

Logo	Approval	Certificate name
	UL UL International Germany GmbH	E69654

Compatible products

Mounting adapter

	Item no.: 773-331 Mounting carrier; for Ex applications; 773 Series - 2.5 mm ² / 6 mm ² ; for DIN-35 rail mounting/screw mounting	www.wago.com/773-331
--	---	--

Downloads

Documentation

Bid Text

773-493	Oct 19, 2017	DOC 25.6 kB	Download
---------	--------------	----------------	----------

smartDATA

CAD data

3D Download 773-493	URL	Download
---------------------	-----	----------

Subject to changes.