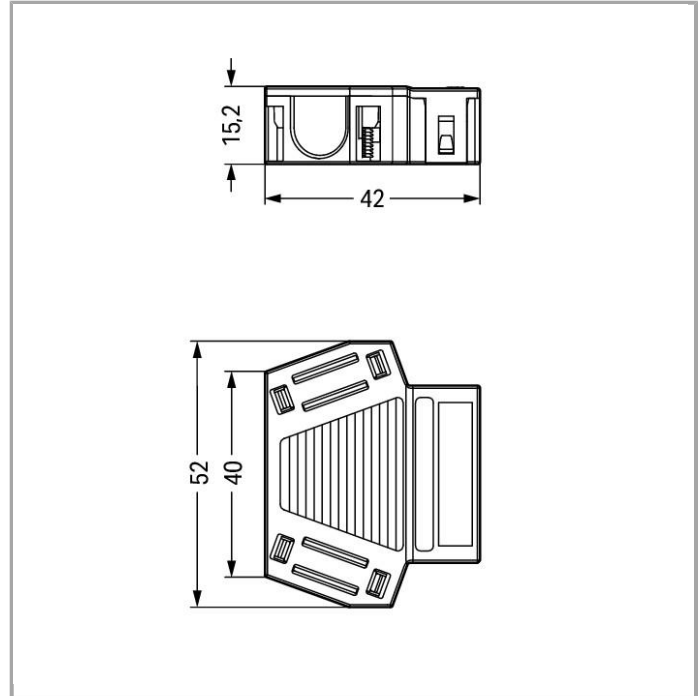
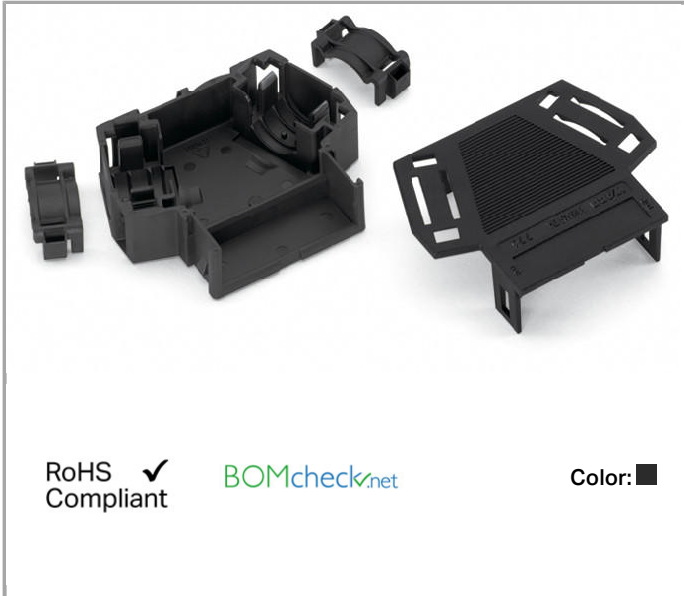


## Data sheet | Item number: 770-503/032-000

Strain relief housing; 3-pole; with locking clip; for 2 cables; 8.0 ... 11.5 mm;  
55 mm



[www.wago.com/770-503/032-000](http://www.wago.com/770-503/032-000)



### Data

#### Connection data

No. of poles	3
Connectable sheathed cable diameter	8 ... 11.5 mm
Abmantelllänge	55 mm

#### Mechanical data

Degree of protection	IP20
----------------------	------

#### Material Data

Color	black
Insulating material	Polyamide 66 (PA 66)
Flammability class per UL94	V0
Fire load	0.332 MJ
Weight	12 g

#### Environmental Requirements



Surrounding air (operating) temperature	-35 ... 85 °C
---	---------------

## Commercial data

Country of origin	DE
GTIN	4044918102421
Customs Tariff No.	39269097900
Product Group	20 (WINSTA)

## Approvals / Certificates

### Ship Approvals


Logo	Approval	Certificate name
	<b>DNV GL</b> Det Norske Veritas, Germanischer Lloyd	TAE00001Z6
	<b>LR</b> Lloyds Register	02/20050 (E6)

### UL-Approvals

Logo	Approval	Certificate name
	<b>cURus</b> Underwriters Laboratories Inc.	E45171 Sec. 9

## Compatible products

### Marking accessories

	Item no.: 210-333 Marking strips; as a DIN A4 sheet; Strip width 6 mm; Strip length 182 mm; plain; Self-adhesive	<a href="http://www.wago.com/210-333">www.wago.com/210-333</a>
--	---	--

## Downloads

### Documentation

#### Bid Text

770-503/032-000 WINSTA MIDI 3-polig	Feb 1, 2016	DOC 24.1 kB	Download
--	-------------	----------------	----------

## smartDATA

### CAD data

3D Download 770-503/032-000



[URL](#)

[Download](#)

---

Subject to changes.

---

WAGO Kontakttechnik GmbH & Co. KG

Hansastr. 27

32423 Minden

Phone: +49571 887-0 | Fax: +49571 887-169

Email: [info.de@wago.com](mailto:info.de@wago.com) | Web: [www.wago.com](http://www.wago.com)

Do you have any questions about our products?

We are always happy to take your call at +49 (571) 887-44222.