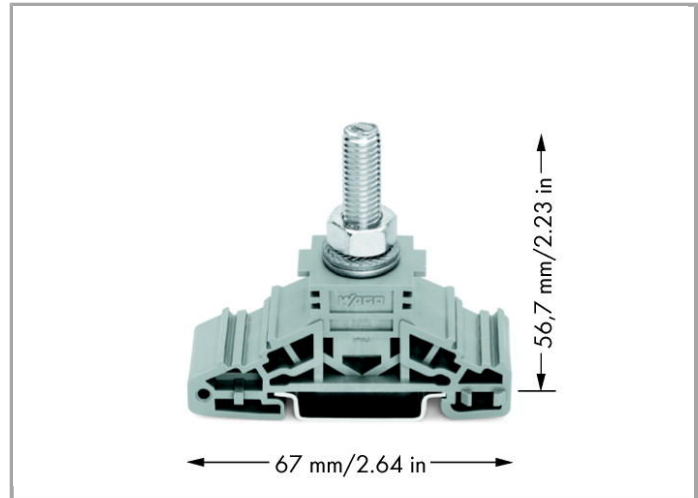
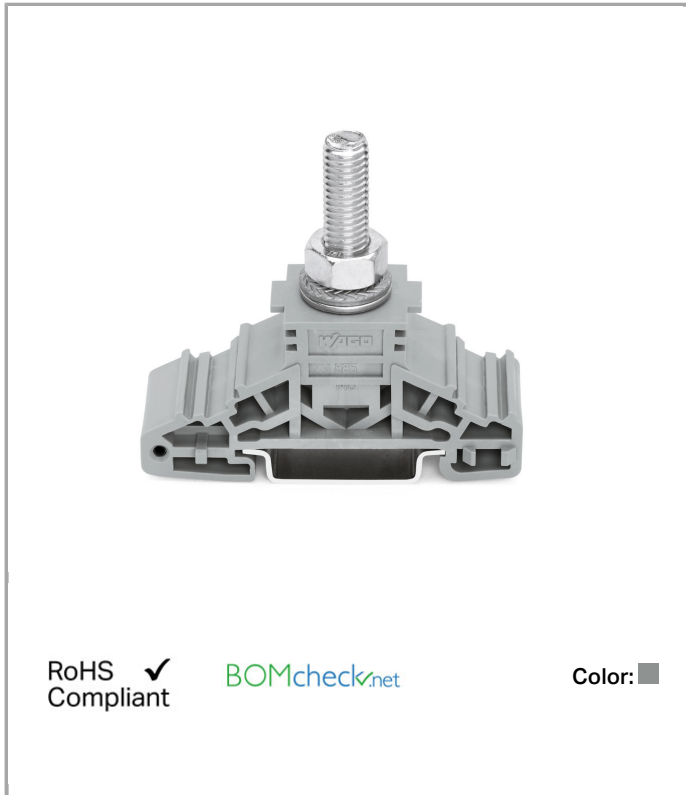


## Data sheet | Item number: 885-108

Stud terminal block; lateral marker slots; for DIN-rail 35 x 15 and 35 x 7.5; 1 stud, M8



[www.wago.com/885-108](http://www.wago.com/885-108)



### Data

#### Electrical data

#### Ratings per IEC/EN 60664-1

Rated voltage (III / 3)	1000 V
Rated impulse voltage (III / 3)	8 kV
Rated current	150 A
Legend (ratings)	(III / 3) ≙ Overvoltage category III / Pollution degree 3

#### Connection data

Connection technology	Screw-clamp connection/Studs
Actuation type	Operating tool
Connectable conductor materials	Copper
Solid conductor	2.5 ... 50 mm <sup>2</sup> / 14 ... 1/0 AWG
Total number of connection points	1
Total number of potentials	1
Type of wiring	Front-entry wiring

## Geometrical Data

Width	22.8 mm / 0.898 inch
Height from upper-edge of DIN-35 rail	56.7 mm / 2.232 inch
Depth	67 mm / 2.638 inch

## Mechanical data

Tightening torque	6 ... 12 Nm
Type of mounting	DIN-35 rail
Marking level	Side marking

## Material Data


Color	gray
Fire load	0.537 MJ
Weight	46.76 g

## Commercial data

Country of origin	CN
GTIN	4050821049234
Customs Tariff No.	85369095990
Product Group	1 (Rail Mounted Terminal Blocks)

## Approvals / Certificates

### Country specific Approvals

Logo	Approval	Certificate name
	CCA DEKRA Certification B.V.	NTR NL 6882
	CCA DEKRA Certification B.V.	2145295.01
	CSA DEKRA Certification B.V.	70038960

### UL-Approvals

Logo	Approval	Certificate name
	UL UL International Germany GmbH	E45172



## Compatible products

### End plate



**Item no.: 885-528**

Separator plate; 2 mm thick; 110.3 mm wide

[www.wago.com/885-528](http://www.wago.com/885-528)



**Item no.: 885-548**

Separator plate with jumper bar recess; 2 mm thick; 110.3 mm wide

[www.wago.com/885-548](http://www.wago.com/885-548)

### N-busbar



**Item no.: 885-566**

Cover; 1 m long

[www.wago.com/885-566](http://www.wago.com/885-566)

### General accessories



**Item no.: 885-580**

Clip; secures cover against slipping

[www.wago.com/885-580](http://www.wago.com/885-580)

### Jumper



**Item no.: 885-408**

Assembled jumper bar; 2-way

[www.wago.com/885-408](http://www.wago.com/885-408)



**Item no.: 885-428**

Assembled jumper bar; 3-way

[www.wago.com/885-428](http://www.wago.com/885-428)



**Item no.: 885-448**

Step-down adjacent jumper bar; 1 level; from M8 to M6

[www.wago.com/885-448](http://www.wago.com/885-448)

### Marking accessories



**Item no.: 2009-110**

Marking strips; on reel; not stretchable; plain; snap-on type

[www.wago.com/2009-110](http://www.wago.com/2009-110)



**Item no.: 2009-115**

WMB-Inline; for smartPRINTER; on reel; stretchable 5 - 5.2 mm; plain; snap-on type

[www.wago.com/2009-115](http://www.wago.com/2009-115)



**Item no.: 2009-115/000-002**

WMB-Inline; for smartPRINTER; on reel; stretchable 5 - 5.2 mm; plain; snap-on type

[www.wago.com/2009-115/000-002](http://www.wago.com/2009-115/000-002)



**Item no.: 2009-115/000-006**

WMB-Inline; for smartPRINTER; on reel; stretchable 5 - 5.2 mm; plain; snap-on type







[www.wago.com/2009-115/000-006](http://www.wago.com/2009-115/000-006)



**Item no.: 2009-115/000-007**

WMB-Inline; for smartPRINTER; on reel; stretchable 5 - 5.2 mm; plain; snap-on type

[www.wago.com/2009-115/000-007](http://www.wago.com/2009-115/000-007)

	<b>Item no.: 2009-115/000-012</b> WMB-Inline; for smartPRINTER; on reel; stretchable 5 - 5.2 mm; plain; snap-on type	<a href="http://www.wago.com/2009-115/000-012">www.wago.com/2009-115/000-012</a>
	<b>Item no.: 2009-115/000-017</b> WMB-Inline; for smartPRINTER; on reel; stretchable 5 - 5.2 mm; plain; snap-on type	<a href="http://www.wago.com/2009-115/000-017">www.wago.com/2009-115/000-017</a>
	<b>Item no.: 2009-115/000-023</b> WMB-Inline; for smartPRINTER; on reel; stretchable 5 - 5.2 mm; plain; snap-on type	<a href="http://www.wago.com/2009-115/000-023">www.wago.com/2009-115/000-023</a>
	<b>Item no.: 2009-115/000-024</b> WMB-Inline; for smartPRINTER; on reel; stretchable 5 - 5.2 mm; plain; snap-on type	<a href="http://www.wago.com/2009-115/000-024">www.wago.com/2009-115/000-024</a>
	<b>Item no.: 2009-135</b> WMB-Inline; for smartPRINTER; on reel; stretchable 5 - 5.2 mm; plain; snap-on type	<a href="http://www.wago.com/2009-135">www.wago.com/2009-135</a>
	<b>Item no.: 2009-198</b> Adaptor	<a href="http://www.wago.com/2009-198">www.wago.com/2009-198</a>

## Downloads smartDATA

### CAD data

3D Download 885-108	<a href="#">URL</a>	<a href="#">Download</a>
---------------------	---------------------	--------------------------

Subject to changes.