



**Solid state relay; Input: 24 V AC/DC; Output: 12 - 275 VAC / 2 A;
Zero voltage switch**

Item No.: 788-721



Solid state relay; Input: 24 V AC/DC; Output: 12 - 275 VAC / 2 A; Zero voltage switch

Marking

RoHS ✓
Compliant

Business data

Supplier	WAGO
Item no.	788-721
GTIN / EAN	4045454945961
Content	1
Order amount	1
Customer item number	

Notes

*Hinweis:*Note: A separator plate (e.g., 209-191) must be used for voltages greater than 250 V between adjacent relay modules and for compliance with the reinforced insulation requirements.

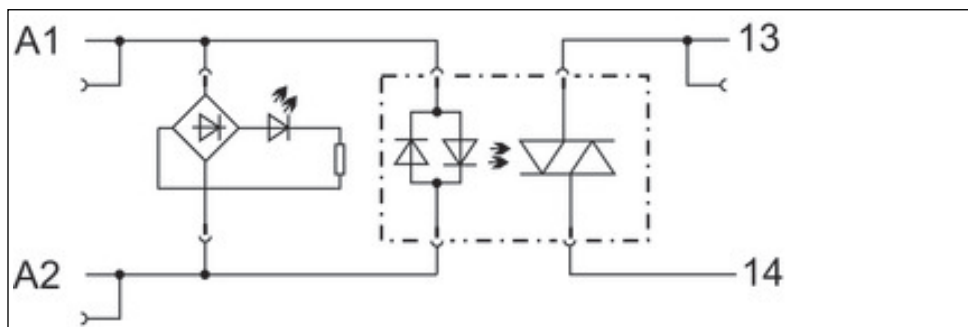
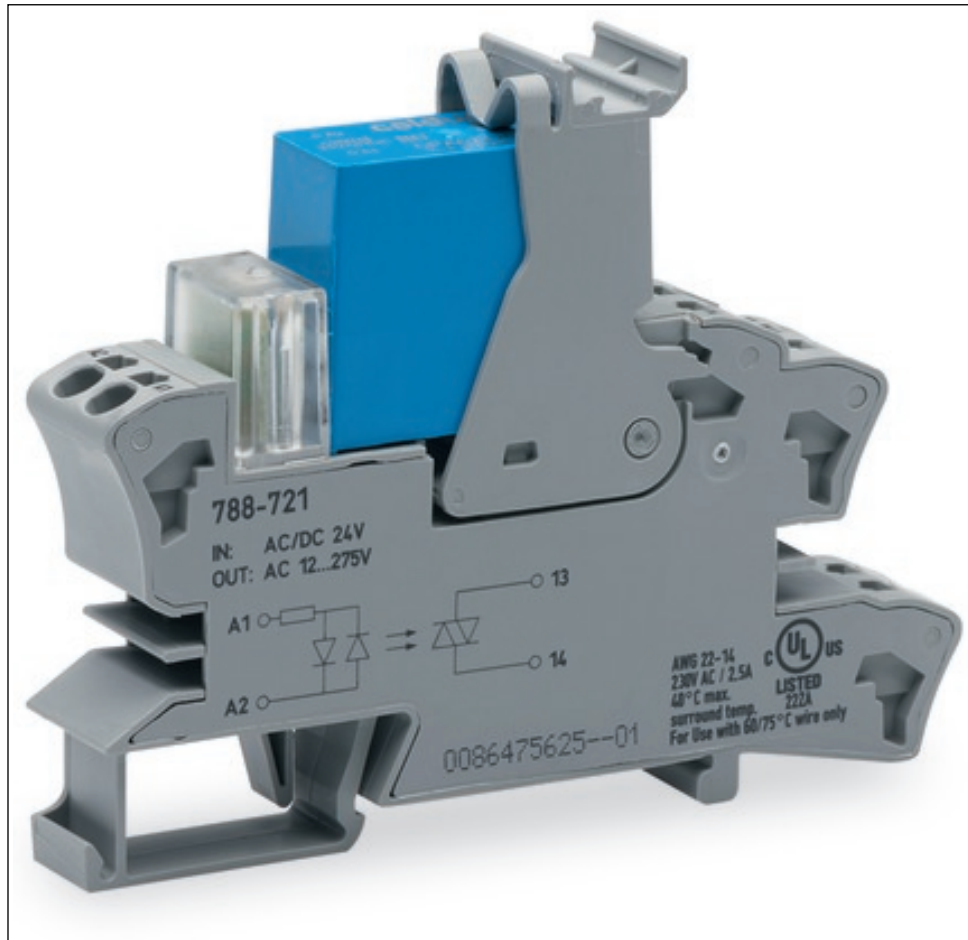
Technical data

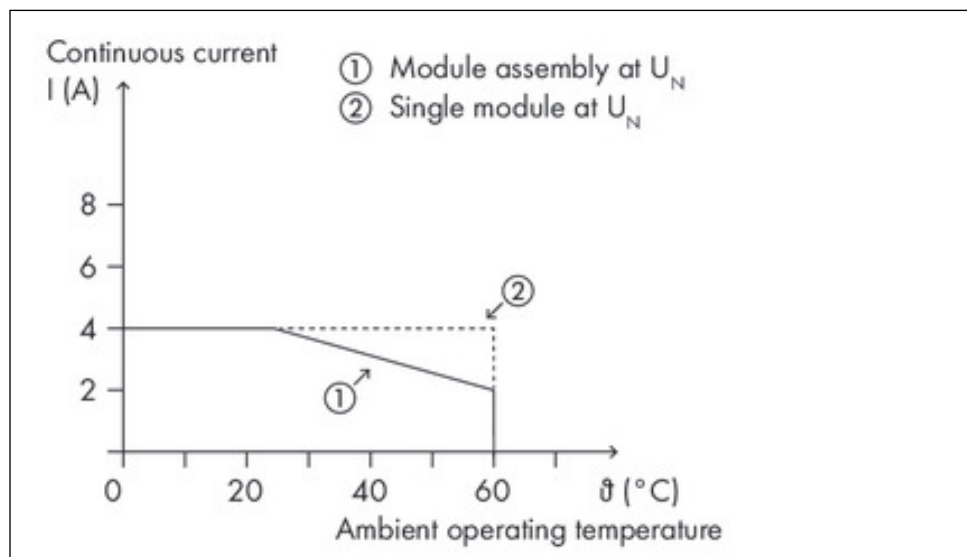
Miscellaneous

Total number of connection points	4
Color	gray
Pollution degree	2
Rated voltage [V]	250 [V]

Technical data	
<i>Rated impulse voltage [kV]</i>	<i>2.5 [kV]</i>
<i>Switching frequency</i>	<i>50 / 60 Hz</i>
<i>Nominal input voltage UN</i>	<i>24 V AC/DC</i>
<i>Output voltage range</i>	<i>12 ... 275 VAC (50/60 Hz)</i>
<i>Max. continuous current</i>	<i>4 A (AC)</i>
<i>Max. voltage drop at output</i>	<i>< 1.1 VAC</i>
<i>Reverse voltage transistor/triac [V]</i>	<i>600 [V]</i>
<i>Pull-in time</i>	<i>10 ms</i>
<i>Drop-out time (ms) [ms]</i>	<i>10 [ms]</i>
<i>Ambient operating temperature</i>	<i>-20 °C ... +60 °C</i>
<i>Control circuit resistance [k]</i>	<i>2.1 [k]</i>
<i>Dielectric strength, control/load circuit (AC, 1 min) [kV<su</i>	<i>4 [kVrms]</i>
<i>Input voltage range (low level)</i>	<i>0 ... 2.5 V AC/DC</i>
<i>Input voltage range (high level)</i>	<i>15 ... 30 V AC/DC</i>
<i>Connection technology</i>	<i>Push-in CAGE CLAMP®</i>
<i>Solid conductor</i>	<i>0.34 ... 2.5 mm² / 22 ... 14 AWG</i>
<i>Strip length</i>	<i>9 ... 10 mm / 0.35 ... 0.39 Inch</i>
<i>Type of wiring</i>	<i>Front-entry wiring</i>
<i>Fire load [MJ]</i>	<i>0.683 [MJ]</i>
<i>Weight [g]</i>	<i>49.387 [g]</i>
<i>Width</i>	<i>15 mm / 0.591 Inch</i>
<i>Height from upper-edge of DIN-35 rail</i>	<i>53 mm / 2.087 Inch</i>
<i>Depth</i>	<i>86 mm / 3.386 Inch</i>
<i>Type of mounting</i>	<i>DIN-35 x 15 carrier rail</i>

Images & drawings





Address

WAGO Kontakttechnik GmbH & Co. KG

Hansastr. 27

32423 Minden

Telefon: 0571/887-0

Fax: 0571/887-169

<http://www.wago.com>

© WAGO Kontakttechnik GmbH & Co. KG

Technische Änderungen und Irrtümer vorbehalten.