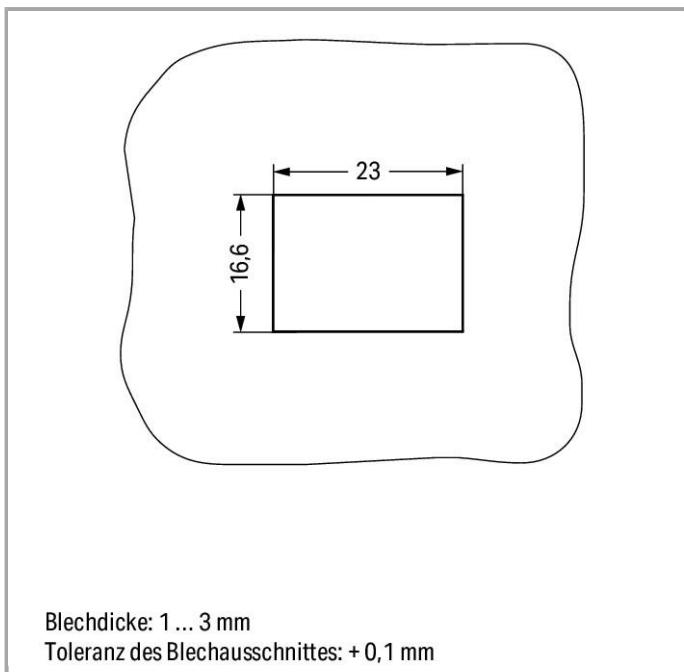
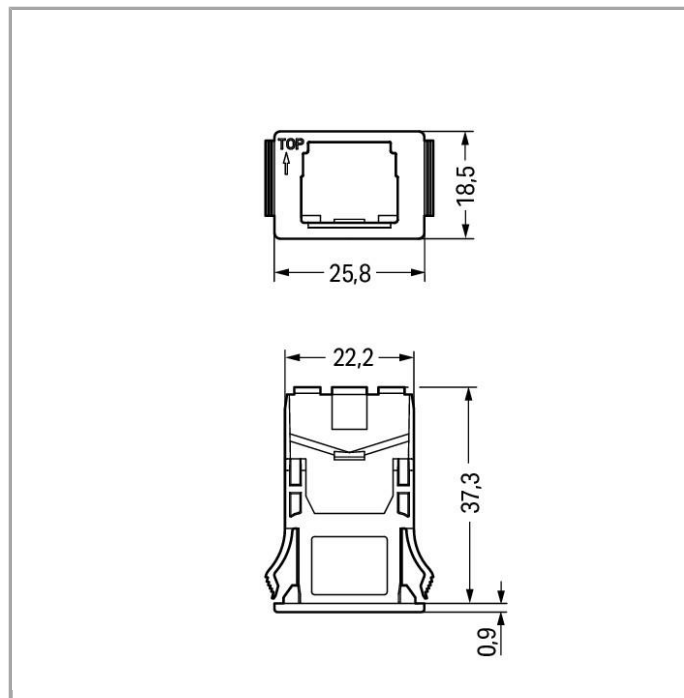


RoHS Compliant

[BOMcheck.net](https://www.bomcheck.net)

Color:



Blechdicke: 1 ... 3 mm
Toleranz des Blechausschnittes: +0,1 mm

Data

Electrical data

Ratings per IEC/EN 60664-1

Legend (ratings)

(III / 3) ≙ Overvoltage category III / Pollution degree 3

Geometrical Data

| | |
|--------|-----------------------|
| Width | 25.8 mm / 1.016 inch |
| Height | 18.5 mm / 0.728 inch |
| Depth | 38.75 mm / 1.526 inch |

Mechanical data

| | |
|----------------------|-----------------------------------|
| Gehäuseblechstärke | 1 ... 3 mm / 0.039 ... 0.118 inch |
| Mounting type | Snap-in |
| Degree of protection | IP20 |

Material Data

| | |
|-----------------------------|----------------------|
| Color | black |
| Insulating material | Polyamide 66 (PA 66) |
| Flammability class per UL94 | V0 |
| Fire load | 0.081 MJ |
| Weight | 2.71 g |

Environmental Requirements


| | |
|---|---------------|
| Surrounding air (operating) temperature | -35 ... 85 °C |
|---|---------------|

Commercial data




| | |
|--------------------|---------------|
| Country of origin | DE |
| GTIN | 4050821261162 |
| Customs Tariff No. | 39269097900 |
| Product Group | 20 (WINSTA) |

Approvals / Certificates

Country specific Approvals

| Logo | Approval | Certificate name |
|--|---------------------------------|------------------|
|  | CCA DEKRA Certification B.V. | 2173495.02 |
| | CCA DEKRA Certification B.V. | NL-32105 |

Ship Approvals

| Logo | Approval | Certificate name |
|--|---|------------------|
|  | ABS American Bureau of Shipping | 14-HG1241528-PDA |
|  | DNV GL Det Norske Veritas, Germanischer Lloyd | TAE00001Z6 |
|  | LR Lloyds Register | 02/20050 (E6) |

Compatible products

Locking lever



Item no.: 770-140

Locking lever; for sockets; for manual operation

www.wago.com/770-140

Downloads

Documentation

Bid Text

| | | | |
|---------------------|--------------|---------|----------|
| 770-317 | Jan 19, 2016 | DOC | Download |
| WINSTA MIDI 2-polig | | 23.6 kB | |

smartDATA

CAD data

| | | |
|---------------------|-----|----------|
| 3D Download 770-317 | URL | Download |
|---------------------|-----|----------|

Subject to changes.

WAGO Kontakttechnik GmbH & Co. KG
 Hansastr. 27
 32423 Minden
 Phone: +49571 887-0 | Fax: +49571 887-169
 Email: info.de@wago.com | Web: www.wago.com

Do you have any questions about our products?
 We are always happy to take your call at +49 (571) 887-44222.