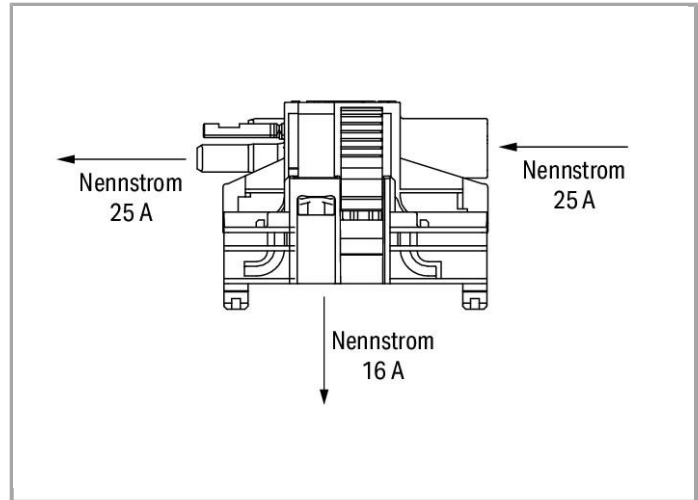
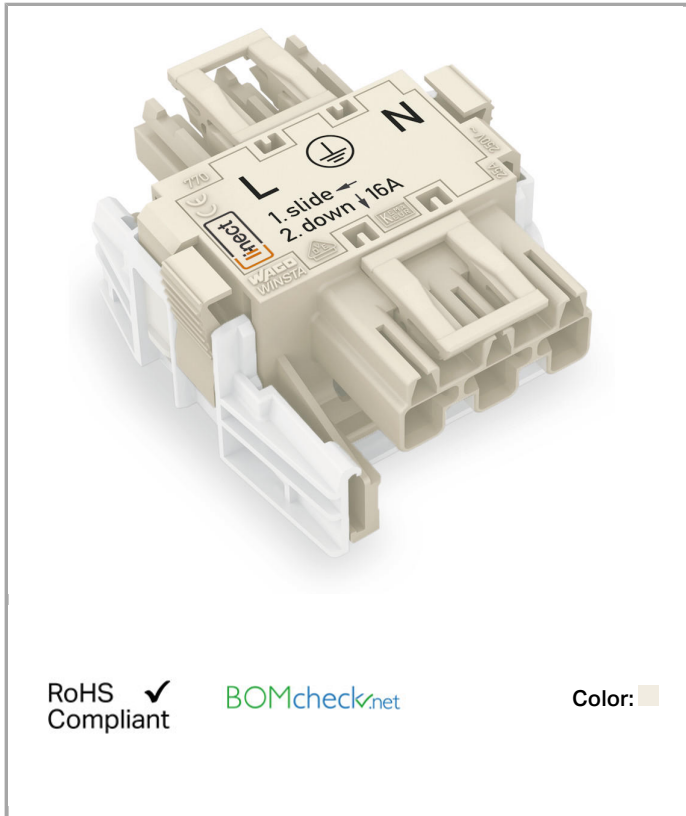
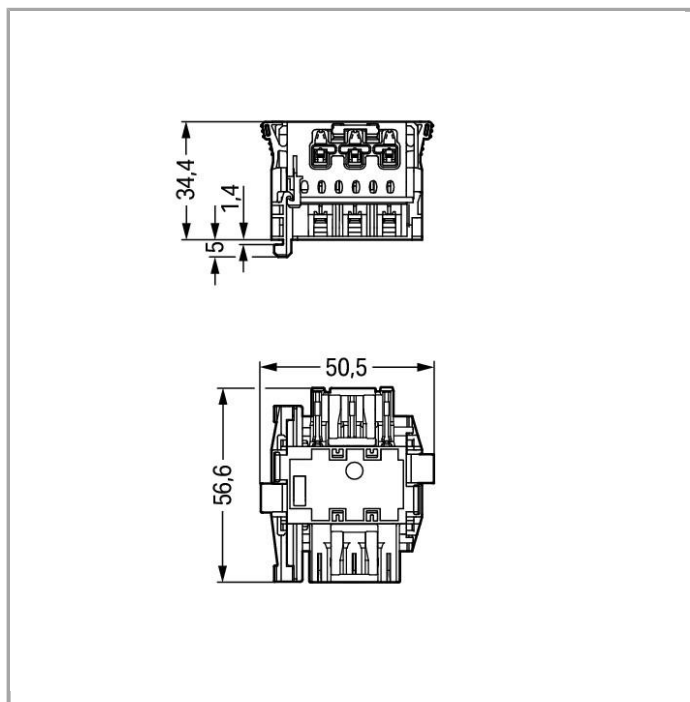


Data sheet | Item number: 770-6223

Linect® T-connector; 3-pole; Cod. A; 1 input; 2 outputs

www.wago.com/770-6223





Item description

Note:

All connectors for mounted installations (snap-in versions for lighting fixtures or devices, all types of PCB and distribution connectors) are factory-equipped with locking levers to ensure plugs and sockets are securely locked. Additional locking levers are only required for flying leads (plug /socket).

Data

Electrical data

Ratings per IEC/EN 60664-1

| | |
|---------------------------------|---|
| Rated voltage (III / 3) | 250 V |
| Rated impulse voltage (III / 3) | 4 kV |
| Rated current | 25 A |
| Rated current (2) | 16 A |
| Legend (ratings) | (III / 3) ≙ Overvoltage category III / Pollution degree 3 |

Connection data

| | |
|----------------------------|----------------------------|
| No. of poles | 3 |
| Total number of potentials | 3 |
| Ground function | with preceding GND contact |

Geometrical Data

| | |
|-------------|----------------------|
| Pin spacing | 10 mm (0.394 inch) |
| Width | 50.5 mm / 1.988 inch |
| Height | 39.4 mm / 1.551 inch |
| Depth | 56.6 mm / 2.228 inch |

Mechanical data

| | |
|---|---|
| Coding | A |
| Mating force of a plug-in connection | approx. 20 ... 70 N (depending on pole number) |
| Retention force of a plug-in connection | when locked: > 80N |
| Unmating force of a plug-in connection | when unlocked: approx. 20 ... 70 N (depending on pole number) |
| Type of distribution connector | Linect [®] T-connector |
| Marking | L N |
| Degree of protection | IP20 |
| Potential marking | L N |

Plug connection

| | |
|------------------------------------|---------------|
| Contact type (pluggable connector) | Socket/plug |
| Mismating protection | Yes |
| Locking of plug-in connection | locking lever |
| Locking lever | yes |

Material Data

| | |
|-----------------------------|---|
| Color | white |
| Insulating material | Polyamide 66 (PA 66) |
| Flammability class per UL94 | V0 |
| Contact material | Copper or copper alloy, surface-treated |
| Fire load | 0.599 MJ |
| Weight | 25.34 g |

Environmental Requirements


| | |
|---|---------------|
| Surrounding air (operating) temperature | -35 ... 85 °C |
|---|---------------|

Commercial data

| | |
|--------------------|---------------|
| Country of origin | DE |
| GTIN | 4050821000389 |
| Customs Tariff No. | 85366990990 |
| Product Group | 20 (WINSTA) |

Approvals / Certificates

Country specific Approvals

| Logo | Approval | Certificate name |
|--|---|------------------|
|  | VDE VDE Prüf- und Zertifizierungsinstitut | 40029808 |

Compatible products protection

| | | |
|--|---|--|
|  | Item no.: 770-201 Lockout cap; for socket; 12-pole; separable | www.wago.com/770-201 |
| | Item no.: 770-221 Lockout cap; for socket; 12-pole; separable | www.wago.com/770-221 |
| | Item no.: 770-360 Lockout cap; for plugs; 5-pole; separable | www.wago.com/770-360 |

Coding

| | | |
|--|---|--|
|  | Item no.: 770-401 Coding pin; for plugs | www.wago.com/770-401 |
|--|---|--|

Downloads

Documentation

Bid Text

| | | | |
|---------------|--------------|---------|----------|
| 770-6223 | Jan 19, 2016 | DOC | Download |
| WINSTA LINECT | | 23.6 kB | |

Subject to changes.