

# Sensor/actuator connector - SACC-M12MS-4QO-0,34 - 1641714

Please be informed that the data shown in this PDF Document is generated from our Online Catalog. Please find the complete data in the user's documentation. Our General Terms of Use for Downloads are valid (<http://download.phoenixcontact.com>)



Sensor/actuator connector, 4-position, Plug straight M12, A-coded, Insulation displacement connection, Knurl material: Plastic, External cable diameter 3.5 mm ... 6 mm

## Product Features

- Safe use in the field, thanks to a high degree of protection
- Flexible: connectors for on-site assembly
- Insulation displacement connection: innovative and time-saving assembly without stripping the single wire

## Key commercial data

<b>package_quantity</b>	1
<b>GTIN</b>	4017918925161

## Technical data

### Dimensions

<b>Wrench size, union nut</b>	13 mm
<b>External diameter</b>	3.5 mm ... 6 mm

### Ambient conditions

<b>Ambient temperature (operation)</b>	-25 °C ... 80 °C (Plug / socket)
<b>Ambient temperature (assembly)</b>	-5 °C ... 50 °C (During assembly)
<b>Degree of protection</b>	IP65
<b>Degree of protection</b>	IP67

### General

<b>Rated current at 40°C</b>	4 A
<b>Rated voltage</b>	125 V
<b>Number of positions</b>	4
<b>Contact resistance</b>	≤ 5 mΩ
<b>Insulation resistance</b>	≥ 100 MΩ
<b>Coding</b>	A - standard
<b>Standards/regulations</b>	M12 connector IEC 61076-2-101
<b>Status display</b>	No
<b>Surge voltage category</b>	II
<b>Pollution degree</b>	3
<b>Connection method</b>	Insulation displacement connection
<b>Conductor cross section</b>	0.14 mm <sup>2</sup> ... 0.34 mm <sup>2</sup>

# Sensor/actuator connector - SACC-M12MS-4QO-0,34 - 1641714

## Technical data

### General

<b>AWG conductor cross section</b>	26 ... 22
<b>Wire diameter including insulation</b>	0.7 mm ... 1.6 mm
<b>Frequency of connections between conductors of the same cross section</b>	10
<b>Wire insulation material</b>	PVC / PE
<b>Structure of individual litz in acc. with VDE 0295 / smallest wire diameter</b>	Class 2-6
<b>Insertion/withdrawal cycles</b>	≥ 100
<b>Torque</b>	0.4 Nm (M12 knurl)
<b>Torque</b>	0.8 Nm (Pressure nut)
<b>Assembly instructions</b>	AWG 20 conductor cross section upon request

### Material

<b>Inflammability class according to UL 94</b>	V0
<b>Contact material</b>	CuSn
<b>Contact surface material</b>	Ni/Au
<b>Contact carrier material</b>	TPU
<b>Material of grip body</b>	PA 6
<b>Material, knurls</b>	Plastic
<b>Sealing material</b>	NBR

## classifications

### eCl@ss

<b>eCl@ss 4.0</b>	27140815
<b>eCl@ss 4.1</b>	27140815
<b>eCl@ss 5.0</b>	27143423
<b>eCl@ss 5.1</b>	27143423
<b>eCl@ss 6.0</b>	27143423
<b>eCl@ss 7.0</b>	27449001
<b>eCl@ss 8.0</b>	27449001

### ETIM

<b>ETIM 2.0</b>	EC000516
<b>ETIM 3.0</b>	EC000516
<b>ETIM 4.0</b>	EC002062
<b>ETIM 5.0</b>	EC002062

### UNSPSC

<b>UNSPSC 6.01</b>	31261501
<b>UNSPSC 7.0901</b>	31261501
<b>UNSPSC 11</b>	31261501
<b>UNSPSC 12.01</b>	31261501
<b>UNSPSC 13.2</b>	31261501

# Sensor/actuator connector - SACC-M12MS-4QO-0,34 - 1641714

## approvals

UL Recognized / cUL Recognized / GOST / cULus Recognized /

### Approval details

<b>UL Recognized</b>	
Nominal voltage UN	125 V
Nominal current IN	4 A
mm <sup>2</sup> /AWG/kcmil	22

<b>cUL Recognized</b>	
Nominal voltage UN	125 V
Nominal current IN	4 A
mm <sup>2</sup> /AWG/kcmil	22

<b>GOST</b>
-------------

<b>cULus Recognized</b>
-------------------------

## accessories

### Torque tool

TSD 04 SAC - 1208429



## Sensor/actuator connector - SACC-M12MS-4QO-0,34 - 1641714

### accessories

TSD-M 1,2NM - 1212224



---

### Screwdriver tools

SAC BIT M12-D15 - 1208432



TSD-M SAC-BIT ADAPTER - 1212600



SAC BIT QUICKON-W13 - 1212033



---

### Protective cap

PROT-M12 FS-PA-CHAIN - 1430873



---

### Cable by the meter

## Sensor/actuator connector - SACC-M12MS-4QO-0,34 - 1641714

### accessories

SAC-4P-100,0-PUR/0,25 - 1501692



---

SAC-4P-100,0-PUR/0,34 - 1501663

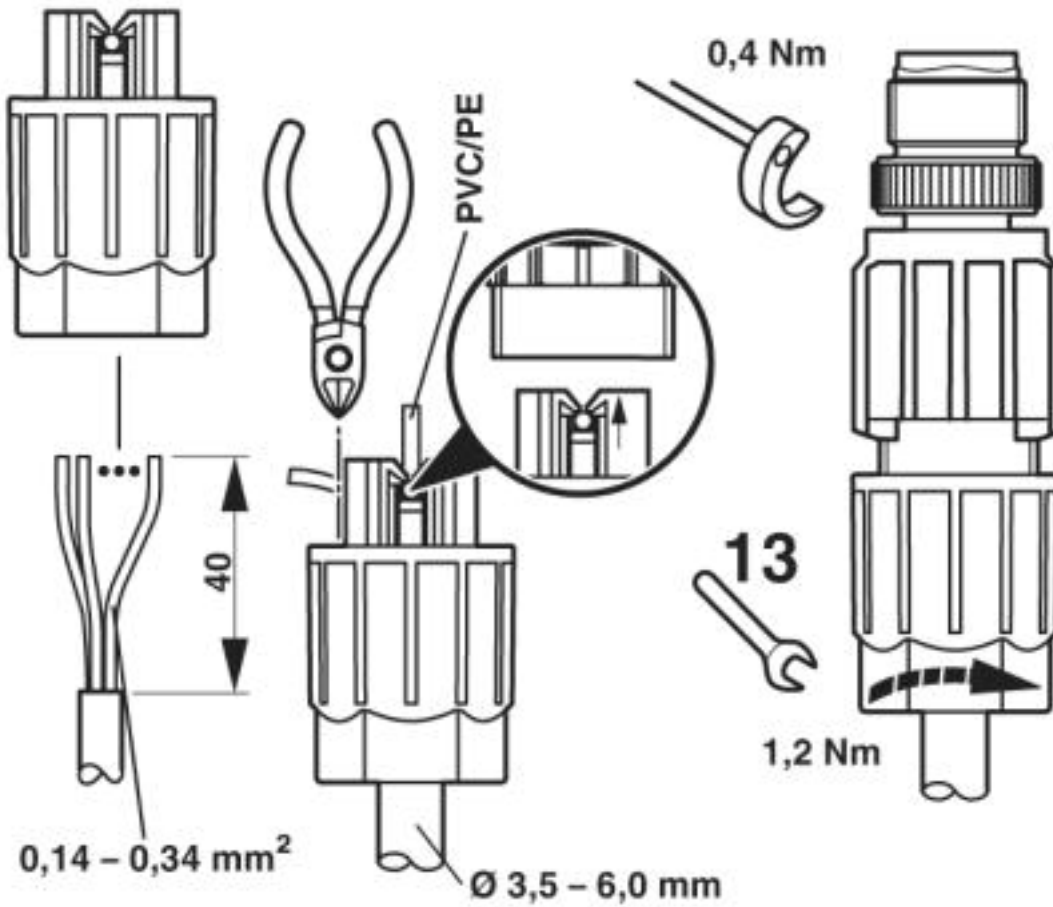


---

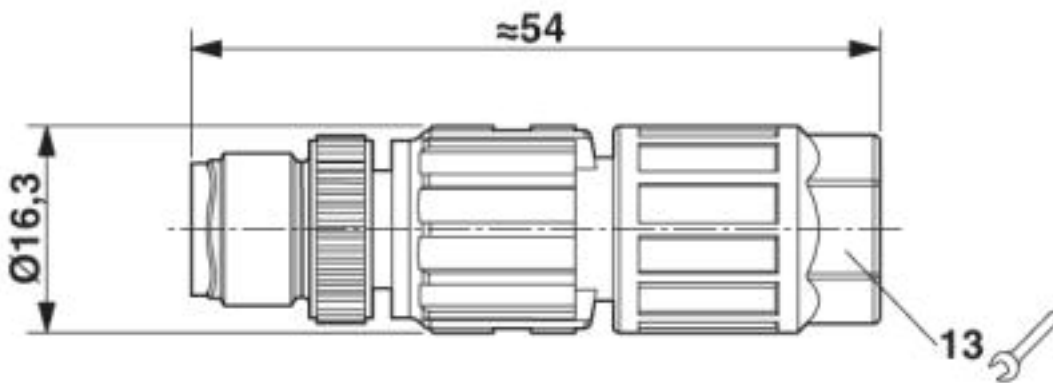
### Drawings

# Sensor/actuator connector - SACC-M12MS-4QO-0,34 - 1641714

Functional drawing



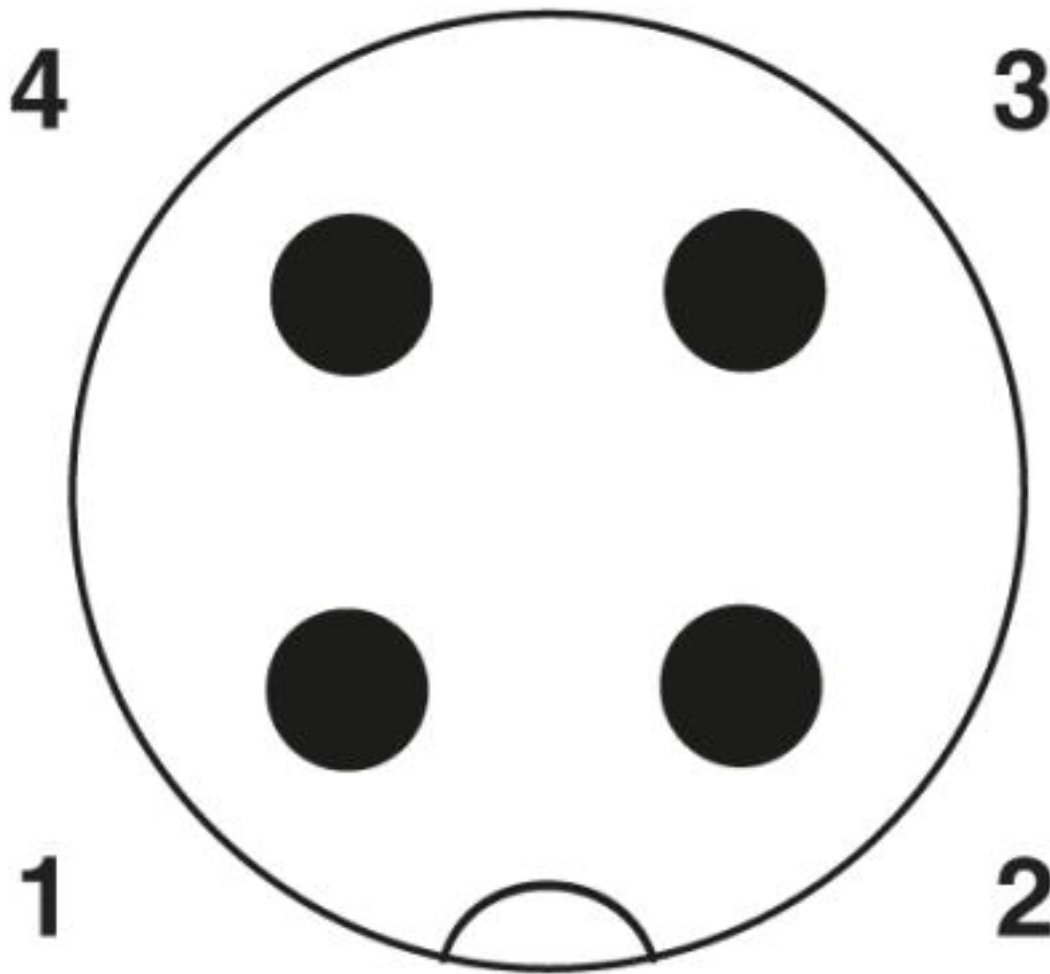
Dimensioned drawing



M12 x 1 plug, straight

## Sensor/actuator connector - SACC-M12MS-4QO-0,34 - 1641714

Schematic diagram



Pin assignment M12 plug, 4-pos., A-coded, view plug side

© Phoenix Contact 2013 - all rights reserved  
<http://www.phoenixcontact.com>