

Sensor/actuator connector - SACC-MS-4QO-0,75-M SCO - 1521591

Please be informed that the data shown in this PDF Document is generated from our Online Catalog. Please find the complete data in the user's documentation. Our General Terms of Use for Downloads are valid (<http://download.phoenixcontact.com>)



Sensor/actuator connector, 4-position, Plug straight M12 SPEEDCON, A-coded, Insulation displacement connection, Knurl material: Zinc die-cast, nickel-plated, External cable diameter 4 mm ... 8 mm

Product Features

- ✓ Safe use in the field, thanks to a high degree of protection
- ✓ Flexible: connectors for on-site assembly
- ✓ Save time, thanks to installation with SPEEDCON rapid interlock system
- ✓ Insulation displacement connection: innovative and time-saving assembly without stripping the single wire



Key commercial data

package_quantity	1
GTIN	4017918953065

Technical data

Dimensions

Wrench size, union nut	15 mm
External diameter	4 mm ... 8 mm

Ambient conditions

Ambient temperature (operation)	-25 °C ... 80 °C (Plug / socket)
Ambient temperature (assembly)	-5 °C ... 50 °C (During assembly)
Degree of protection	IP65
Degree of protection	IP67

General

Rated current at 40°C	4 A
Rated voltage	250 V
Number of positions	4
Contact resistance	≤ 5 mΩ
Insulation resistance	≥ 100 MΩ
Coding	A - standard
Standards/regulations	M12 connector IEC 61076-2-101

Sensor/actuator connector - SACC-MS-4QO-0,75-M SCO - 1521591

Technical data

General

Status display	No
Surge voltage category	II
Pollution degree	3
Connection method	Insulation displacement connection
Conductor cross section	0.34 mm ² ... 0.75 mm ²
AWG conductor cross section	22 ... 18
Wire diameter including insulation	1.3 mm ... 2.6 mm
Frequency of connections between conductors of the same cross section	10
Wire insulation material	PVC / PE
Structure of individual litz in acc. with VDE 0295 / smallest wire diameter	Class 2-6
Insertion/withdrawal cycles	≥ 100
Torque	0.4 Nm (M12 knurl)
Torque	1.2 Nm (Pressure nut)
Assembly instructions	AWG 18 wire cross section upon request

Material

Inflammability class according to UL 94	V0
Contact material	CuSn
Contact surface material	Ni/Au
Contact carrier material	TPU
Material of grip body	PA 6
Material, knurls	Zinc die-cast, nickel-plated
Sealing material	NBR

classifications

eCl@ss

eCl@ss 4.0	27140815
eCl@ss 4.1	27140815
eCl@ss 5.0	27143423
eCl@ss 5.1	27143423
eCl@ss 6.0	27143423
eCl@ss 7.0	27449001
eCl@ss 8.0	27449001

ETIM

ETIM 2.0	EC000516
ETIM 3.0	EC000516
ETIM 4.0	EC002062
ETIM 5.0	EC002062

Sensor/actuator connector - SACC-MS-4QO-0,75-M SCO - 1521591

classifications

UNSPSC

UNSPSC 6.01	31261501
UNSPSC 7.0901	31261501
UNSPSC 11	31261501
UNSPSC 12.01	31261501
UNSPSC 13.2	31261501

approvals

UL Recognized / cUL Recognized / GOST / cULus Recognized /

Approval details

UL Recognized	
Nominal voltage UN	300 V
Nominal current IN	4 A
mm ² /AWG/kcmil	

cUL Recognized	
Nominal voltage UN	300 V
Nominal current IN	4 A
mm ² /AWG/kcmil	

GOST

cULus Recognized

accessories

Socket spanner

Sensor/actuator connector - SACC-MS-4QO-0,75-M SCO - 1521591

accessories

QSS 15 - 1641992



Torque tool

TSD 04 SAC - 1208429



TSD-M 1,2NM - 1212224



Screwdriver tools

SAC BIT M12-D15 - 1208432



TSD-M SAC-BIT ADAPTER - 1212600



Sensor/actuator connector - SACC-MS-4QO-0,75-M SCO - 1521591

accessories

Protective cap

PROT-M12 FS-PA-CHAIN - 1430873



Cable by the meter

SAC-4P-100,0-PUR/0,34 - 1501663



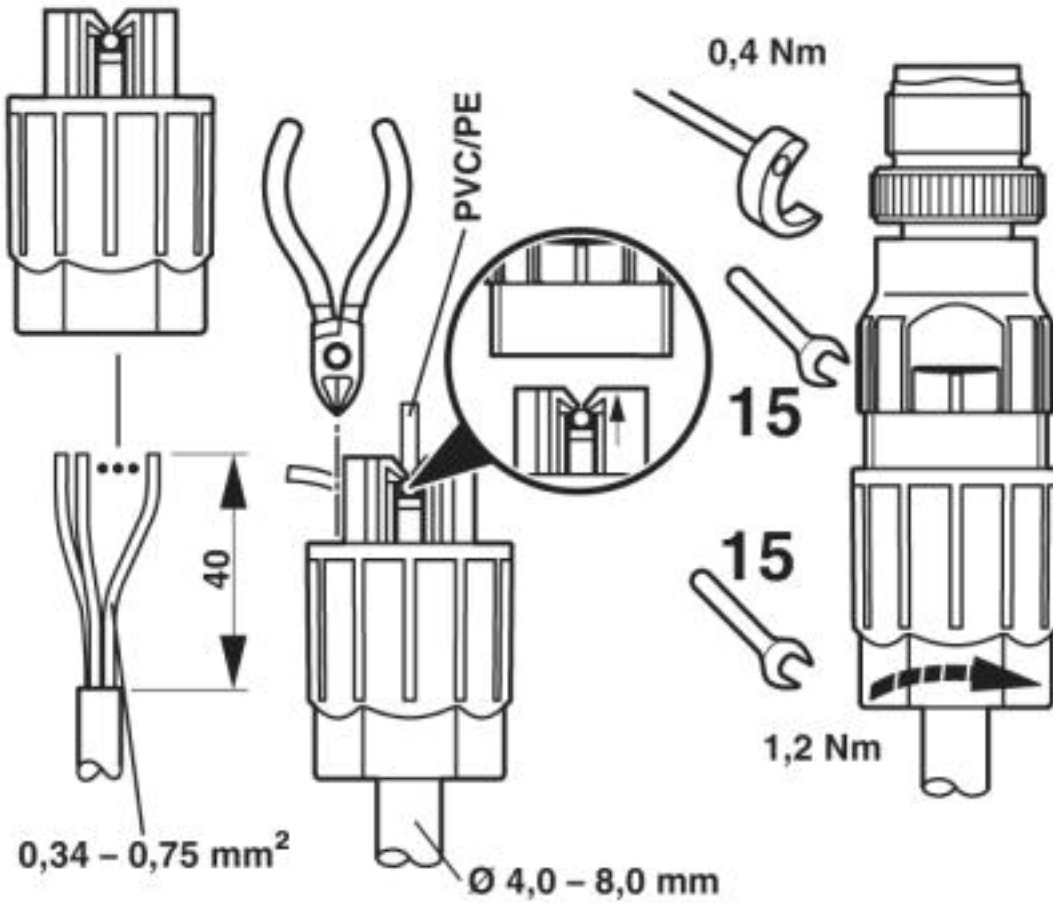
SAC-4P-100,0-186/0,75 - 1457461



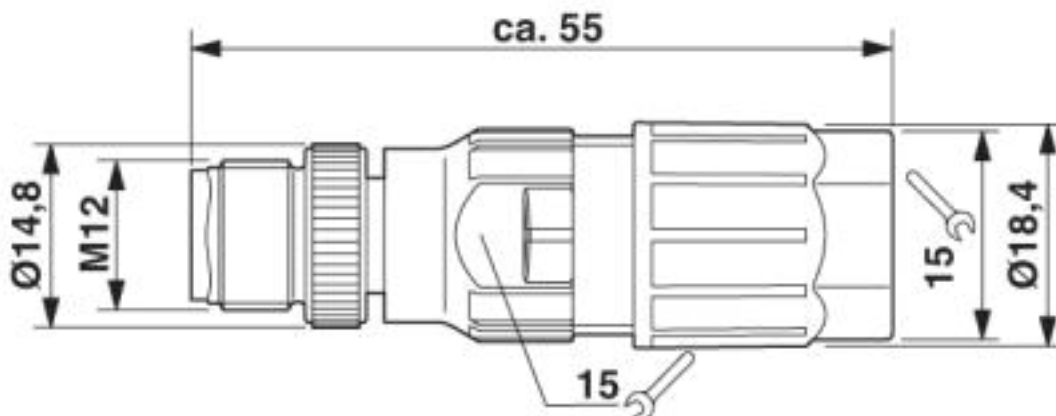
Drawings

Sensor/actuator connector - SACC-MS-4QO-0,75-M SCO - 1521591

Functional drawing



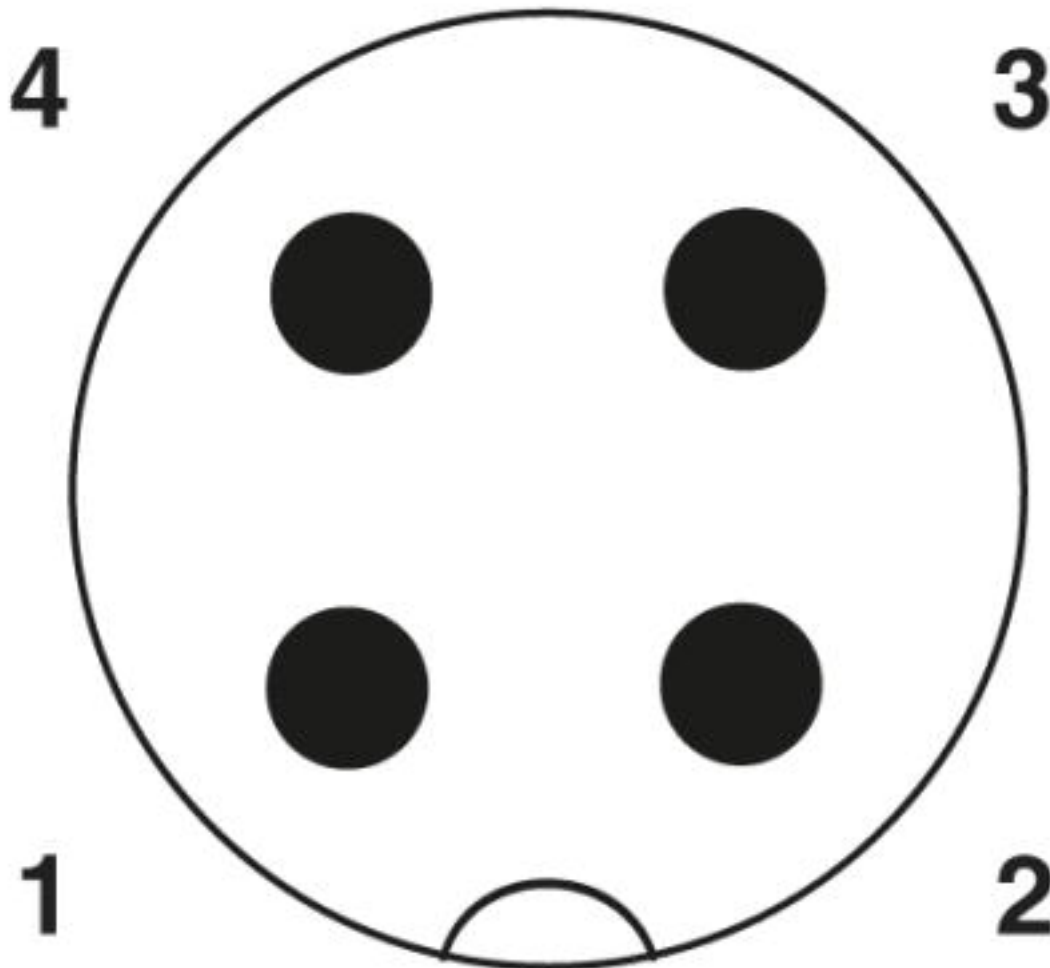
Dimensioned drawing



M12 x 1 plug, straight

Sensor/actuator connector - SACC-MS-4QO-0,75-M SCO - 1521591

Schematic diagram



Pin assignment M12 plug, 4-pos., A-coded, view plug side

© Phoenix Contact 2013 - all rights reserved
<http://www.phoenixcontact.com>