

# D-SUB bus connector - SUBCON-PLUS-CAN - 2744694

Please be informed that the data shown in this PDF Document is generated from our Online Catalog. Please find the complete data in the user's documentation. Our General Terms of Use for Downloads are valid (<http://download.phoenixcontact.com>)



D-SUB connector, 9-pos. female connector, two cable entries < 35° to one terminal block row, bus system: CAN, CANopen®, SafetyBUS p up to 1 Mbps, termination resistor can be switched on via slide switch, pin assignment: 2, 3, 7; screw connection terminal blocks

## Product Features

- Separate terminal blocks for bus cables
- High transmission speed
- Segment-by-segment startup
- Flexibility in terms of cable entry selection
- Assembly under field conditions
- High level of EMC
- Suitable for bus cables according to CiA Draft Recommendation 303-1 with an outside diameter of 8 mm
- Termination resistor can be connected

**CANopen** **SafetyBUS p**

## Key commercial data

<b>package_quantity</b>	1
<b>GTIN</b>	4017918821760

## Technical data

### Dimensions

<b>Max. cable diameter</b>	10 mm
<b>Min. cable diameter</b>	6 mm

### Ambient conditions

<b>Ambient temperature (operation)</b>	-20 °C ... 75 °C
<b>Ambient temperature (storage/transport)</b>	-25 °C ... 80 °C
<b>Altitude</b>	5000 m (For restrictions see manufacturer's declaration)

### General

<b>Nominal voltage U<sub>N</sub></b>	50 V
<b>Nominal current I<sub>N</sub></b>	100 mA
<b>Bus system</b>	CAN, CANopen, SafetyBus-P
<b>Signal</b>	CAN
<b>Signal</b>	CANopen®
<b>Signal</b>	SafetyBUS p

# D-SUB bus connector - SUBCON-PLUS-CAN - 2744694

## Technical data

### General

Insertion/withdrawal cycles	> 200
SUBCON fixing screws	4-40 UNC
Tightening torque	0.4 Nm
Housing material	ABS, metal-plated
Pin assignment	2,3,7

### Connection data

Connection	D-SUB connection
Number of positions	9
Connection method	D-SUB socket
Termination resistor	120 Ω (Can be connected externally)
Connection	PCB connection
Connection method	Screw connection
Conductor cross section stranded min.	0.14 mm <sup>2</sup>
Conductor cross section stranded max.	1 mm <sup>2</sup>
Conductor cross section solid min.	0.14 mm <sup>2</sup>
Conductor cross section solid max.	1.5 mm <sup>2</sup>
Min. AWG conductor cross section, stranded	26
Max. AWG conductor cross section, stranded	18
Conductor cross section AWG/kcmil min.	26
Conductor cross section AWG/kcmil max	16
Stripping length	5 mm
Tightening torque	0.4 Nm

## classifications

### eCl@ss

eCl@ss 4.0	27140816
eCl@ss 4.1	27140816
eCl@ss 5.0	27143424
eCl@ss 5.1	27143424
eCl@ss 6.0	27143424
eCl@ss 7.0	27440209
eCl@ss 8.0	27440209

### ETIM

ETIM 2.0	EC001132
ETIM 3.0	EC001132
ETIM 4.0	EC001132
ETIM 5.0	EC001132

### UNSPSC

UNSPSC 6.01	30211802
-------------	----------

# D-SUB bus connector - SUBCON-PLUS-CAN - 2744694

## classifications

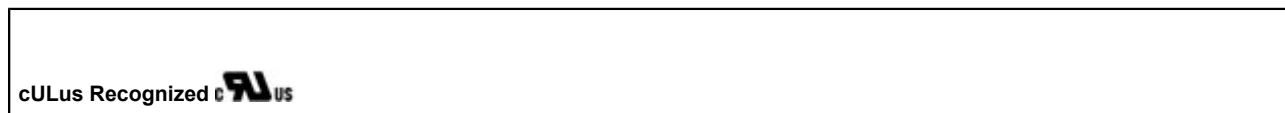
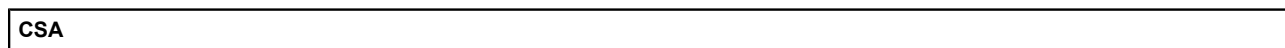
### UNSPSC

UNSPSC 7.0901	39121402
UNSPSC 11	39121402
UNSPSC 12.01	39121402
UNSPSC 13.2	39121402

## approvals

UL Recognized / cUL Recognized / GOST / CSA / cULus Recognized /

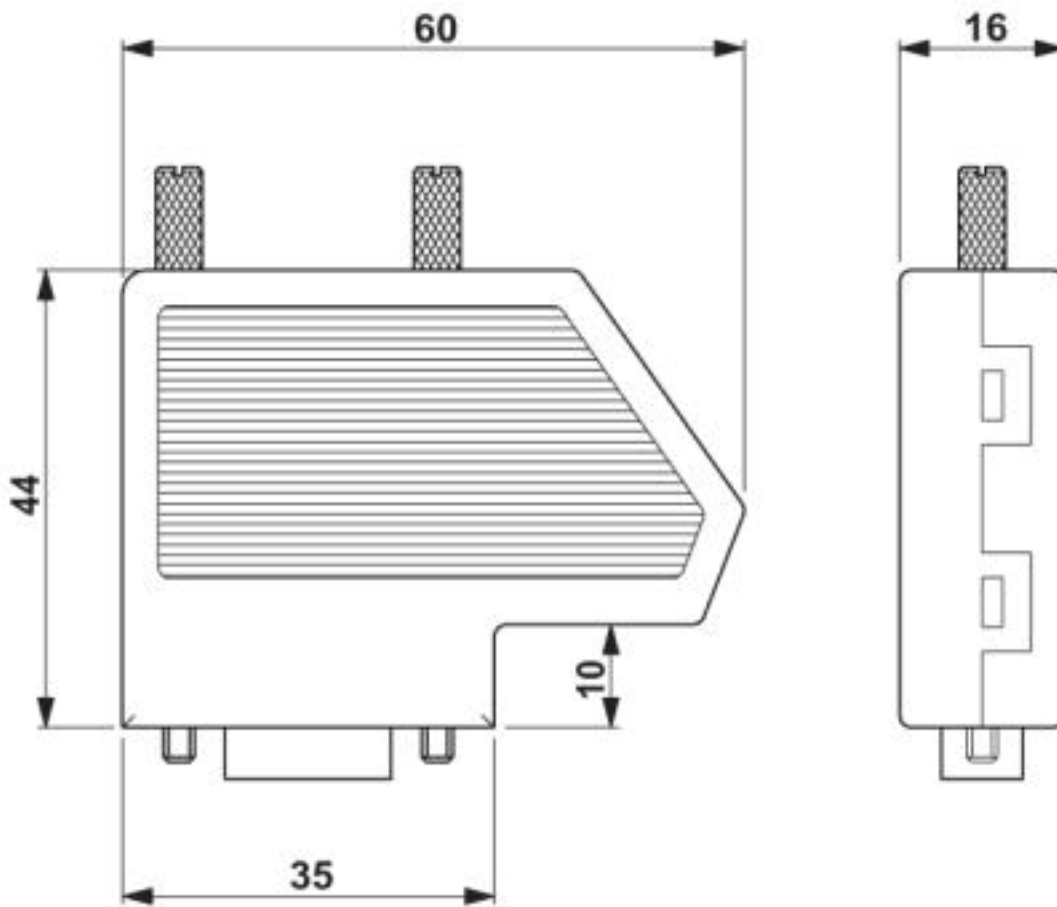
### Approval details



## Drawings

# D-SUB bus connector - SUBCON-PLUS-CAN - 2744694

Dimensioned drawing



© Phoenix Contact 2013 - all rights reserved  
<http://www.phoenixcontact.com>