

D-SUB gender changer - VS-09-GC-BU/BU - 1688722

Please be informed that the data shown in this PDF Document is generated from our Online Catalog. Please find the complete data in the user's documentation. Our General Terms of Use for Downloads are valid (<http://download.phoenixcontact.com>)



D-SUB contact insert, shell size 1, with nine signal contacts, contact type socket, gender changer, fixing with 4-40 UNC thread

Key commercial data

package_quantity	10
GTIN	4017918942632

Technical data

Mechanical characteristics

Number of positions	9
Insertion/withdrawal cycles	≥ 200
Connection method	Gender changer
Cable exit	Straight

Ambient conditions

Ambient temperature (operation)	-55 °C ... 125 °C
---------------------------------	-------------------

Material data

Inflammability class according to UL 94	V0
Housing material	Steel, yellow chromated
Contact carrier material	Polyester GF
Contact material	Copper alloy
Contact surface material	Hard gold-plated over nickel

Electrical characteristics

Rated voltage (III/3)	125 V
Rated surge voltage	1 kV
Rated current	5 A

classifications

eCl@ss

eCl@ss 4.0	27140816
eCl@ss 4.1	27260701
eCl@ss 5.0	27260701
eCl@ss 5.1	27260701

D-SUB gender changer - VS-09-GC-BU/BU - 1688722

classifications

eCl@ss

eCl@ss 6.0	27260705
eCl@ss 7.0	27440309
eCl@ss 8.0	27440309

ETIM

ETIM 2.0	EC000438
ETIM 3.0	EC000438
ETIM 4.0	EC000438
ETIM 5.0	EC000438

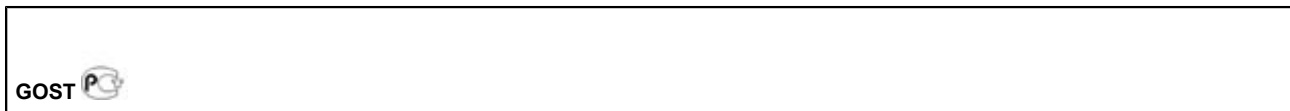
UNSPSC

UNSPSC 6.01	30211923
UNSPSC 7.0901	39121522
UNSPSC 11	39121522
UNSPSC 12.01	39121522
UNSPSC 13.2	39121522

approvals

GOST /

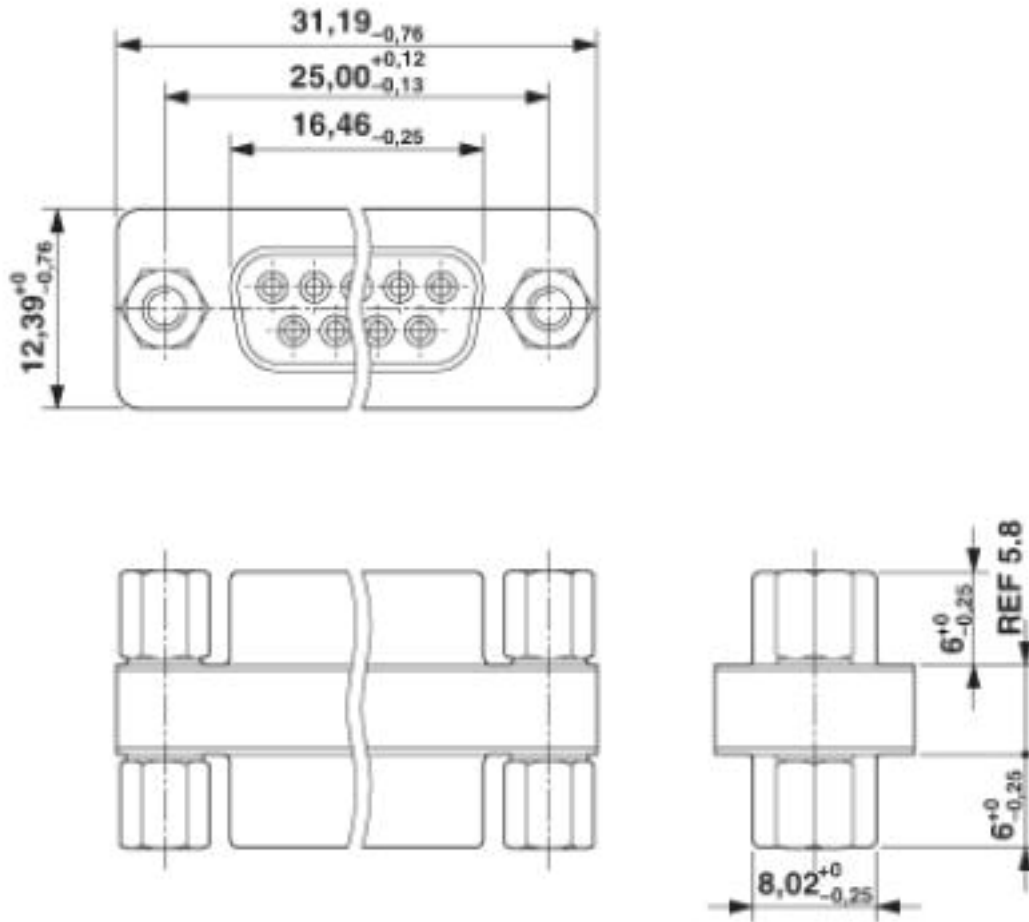
Approval details



Drawings

D-SUB gender changer - VS-09-GC-BU/BU - 1688722

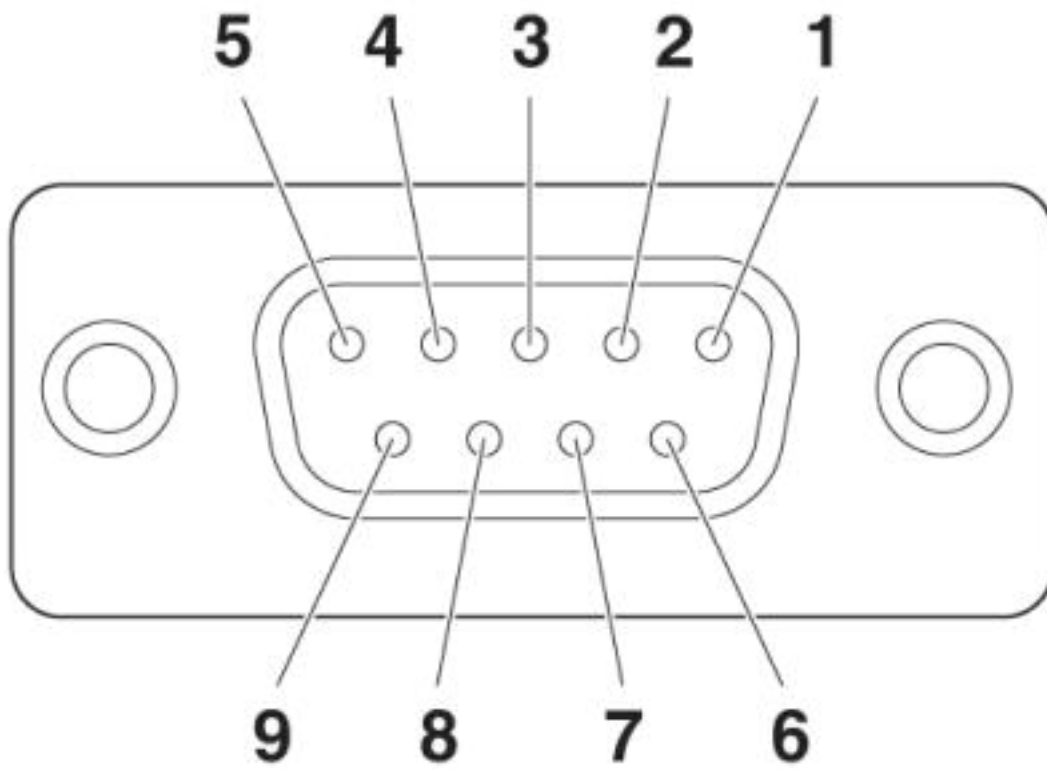
Dimensioned drawing



Gender changer

D-SUB gender changer - VS-09-GC-BU/BU - 1688722

Schematic diagram



© Phoenix Contact 2013 - all rights reserved
<http://www.phoenixcontact.com>