

D-SUB bus connector - SUBCON-PLUS-PROFIB/90/PG/SC - 2313708

Please be informed that the data shown in this PDF Document is generated from our Online Catalog. Please find the complete data in the user's documentation. Our General Terms of Use for Downloads are valid (<http://download.phoenixcontact.com>)



D-SUB connector, 9-pos., male connector, cable entry < 90°, bus system: PROFIBUS DP up to 12 Mbps with PG D-SUB socket for connecting a programming device, termination resistor can be switched on via slide switch, pin assignment: 3, 5, 6, 8; screw connection terminal blocks



Key commercial data

package_quantity	1
GTIN	4046356514156

Technical data

Dimensions

Max. cable diameter	8.4 mm
Min. cable diameter	7.6 mm
Width	16.8 mm
Height	34.8 mm
Length	72 mm

Ambient conditions

Ambient temperature (operation)	-20 °C ... 75 °C
Ambient temperature (storage/transport)	-25 °C ... 80 °C
Altitude	5000 m (For restrictions see manufacturer's declaration)

General

Nominal voltage U_N	5 V AC/DC
Nominal current I_N	100 mA
Bus system	PROFIBUS DP
Signal	PROFIBUS
Insertion/withdrawal cycles	> 200
Test voltage	50 V
SUBCON fixing screws	4-40 UNC
Tightening torque	0.4 Nm
Housing material	ABS, metal-plated
Pin assignment	3, 5, 6, 8

D-SUB bus connector - SUBCON-PLUS-PROFIB/90/PG/SC - 2313708

Technical data

Connection data

Connection	D-SUB connection
Number of positions	9
Connection method	D-SUB connector
Termination resistor	390 Ω
Termination resistor	220 Ω
Termination resistor	390 Ω (Can be connected externally)
Connection	PCB connection
Connection method	Screw connection
Conductor cross section stranded min.	0.14 mm ²
Conductor cross section stranded max.	1 mm ²
Conductor cross section solid min.	0.14 mm ²
Conductor cross section solid max.	1.5 mm ²
Min. AWG conductor cross section, stranded	26
Max. AWG conductor cross section, stranded	18
Conductor cross section AWG/kcmil min.	26
Conductor cross section AWG/kcmil max	16
Stripping length	5 mm
Tightening torque	0.4 Nm
Connection	Programming connection
Number of positions	9
Connection method	D-SUB socket

classifications

eCl@ss

eCl@ss 4.0	272607xx
eCl@ss 4.1	27260701
eCl@ss 5.0	27143424
eCl@ss 5.1	27143424
eCl@ss 6.0	27143424
eCl@ss 7.0	27440209
eCl@ss 8.0	27440209

ETIM

ETIM 3.0	EC001132
ETIM 4.0	EC001132
ETIM 5.0	EC001132

UNSPSC

UNSPSC 6.01	30211802
UNSPSC 7.0901	39121402

D-SUB bus connector - SUBCON-PLUS-PROFIB/90/PG/SC - 2313708

classifications

UNSPSC

UNSPSC 11	39121402
UNSPSC 12.01	39121402
UNSPSC 13.2	39121402

approvals

CSA / UL Recognized / cUL Recognized / cULus Recognized /

Approval details

CSA

UL Recognized

cUL Recognized

cULus Recognized

accessories

Stripping tool

QUICK WIREFOX 6 - 1204384



PSM-STRIP-FC/PROFIB - 2744623



D-SUB bus connector - SUBCON-PLUS-PROFIB/90/PG/ SC - 2313708

accessories

Data cable by the meter

PSM-CABLE-PROFIB/FC - 2744652



Screwdriver tools

SZF 0-0,4X2,5 - 1204504



SZK PH1 VDE - 1205150



Data plug

SUBCON-PLUS-PROFIB/90/SC - 2313698



D-SUB bus connector - SUBCON-PLUS-PROFIB/90/P G/SC - 2313708

accessories

SUBCON-PLUS-PROFIB/P
G/SC2 - 2708245



SUBCON-PLUS-PROFIB/A
X/SC - 2744380

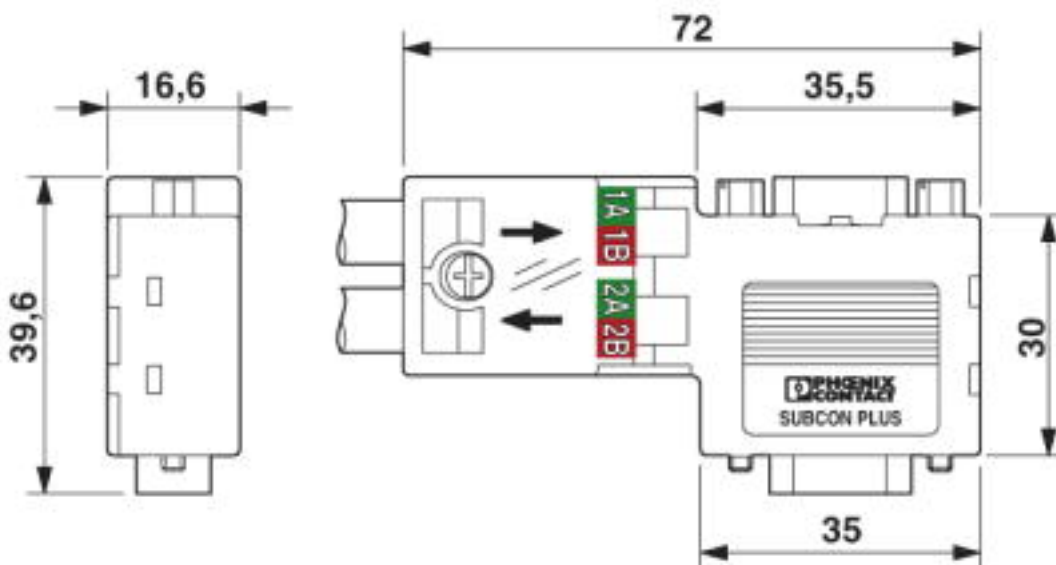


SUBCON-PLUS-PROFIB/90/P
G/IDC - 2313685



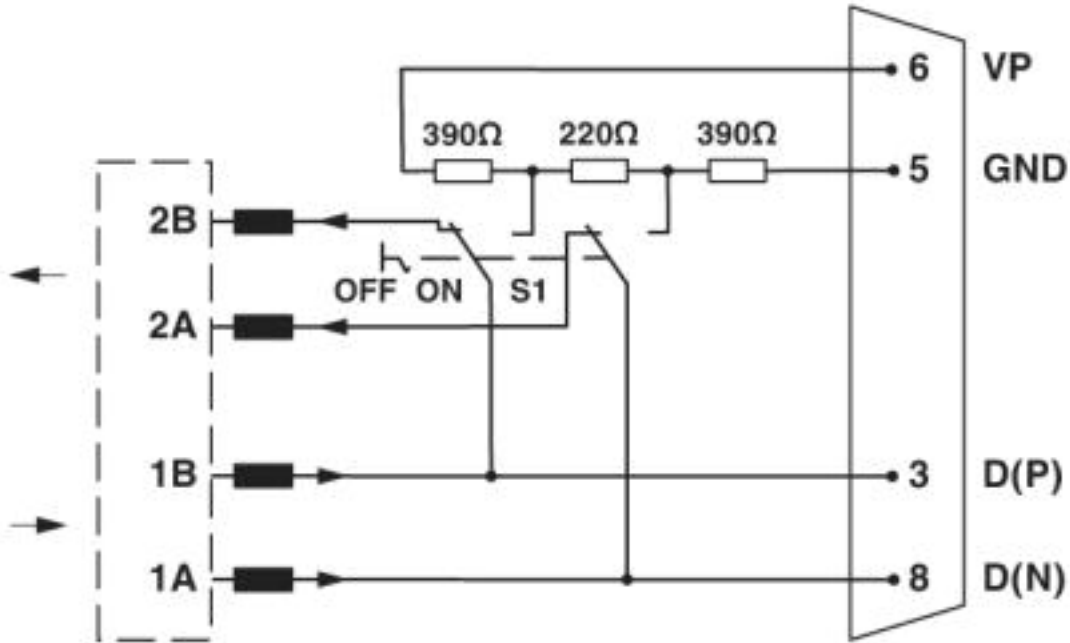
Drawings

Dimensioned drawing



D-SUB bus connector - SUBCON-PLUS-PROFIB/90/P G/SC - 2313708

Circuit diagram



Functional diagram of the connector range SUBCON-PLUS-PROFIB/...

© Phoenix Contact 2013 - all rights reserved
<http://www.phoenixcontact.com>