

# D-SUB bus connector - SUBCON-PLUS 9/M - 2744018

Please be informed that the data shown in this PDF Document is generated from our Online Catalog. Please find the complete data in the user's documentation. Our General Terms of Use for Downloads are valid (<http://download.phoenixcontact.com>)



D-SUB connector, 9-pos., male connector, two cable entries < 35°, universal type for all systems, pin assignment: 1, 2, 3, 4, 5, 6, 7, 8, 9 to one screw connection terminal block

The figure shows a product version with a different terminal block assignment

## Product Features

- Separate terminal blocks for each cable
- Easy assembly thanks to knurled screws
- Flexibility in terms of cable entry selection
- High level of EMC
- Assembly under field conditions
- For universal use
- High transmission speed

RS-485 Modbus RS-232 RS-422

## Key commercial data

package_quantity	1
GTIN	4017918888817

## Technical data

### Dimensions

Max. cable diameter	10 mm
Min. cable diameter	6 mm
Width	16 mm
Height	44 mm
Length	60 mm

### Ambient conditions

Ambient temperature (operation)	-20 °C ... 75 °C
Ambient temperature (storage/transport)	-25 °C ... 80 °C
Altitude	5000 m (For restrictions see manufacturer's declaration)

### General

Nominal voltage $U_N$	50 V
Nominal current $I_N$	100 mA

## D-SUB bus connector - SUBCON-PLUS 9/M - 2744018

### Technical data

#### General

<b>Bus system</b>	RS-485
<b>Signal</b>	RS-485
<b>Insertion/withdrawal cycles</b>	> 200
<b>SUBCON fixing screws</b>	4-40 UNC
<b>Tightening torque</b>	0.4 Nm
<b>Housing material</b>	ABS, metal-plated
<b>Pin assignment</b>	all 1:1

#### Connection data

<b>Connection</b>	D-SUB connection
<b>Number of positions</b>	9
<b>Connection method</b>	D-SUB connector
<b>Tightening torque</b>	0.4 Nm
<b>Connection</b>	PCB connection
<b>Connection method</b>	Screw connection
<b>Conductor cross section stranded min.</b>	0.14 mm <sup>2</sup>
<b>Conductor cross section stranded max.</b>	1 mm <sup>2</sup>
<b>Conductor cross section solid min.</b>	0.14 mm <sup>2</sup>
<b>Conductor cross section solid max.</b>	1.5 mm <sup>2</sup>
<b>Min. AWG conductor cross section, stranded</b>	26
<b>Max. AWG conductor cross section, stranded</b>	18
<b>Conductor cross section AWG/kcmil min.</b>	26
<b>Conductor cross section AWG/kcmil max</b>	16
<b>Stripping length</b>	5 mm
<b>Tightening torque</b>	0.4 Nm

### classifications

#### eCl@ss

<b>eCl@ss 4.0</b>	27140816
<b>eCl@ss 4.1</b>	27140816
<b>eCl@ss 5.0</b>	27143424
<b>eCl@ss 5.1</b>	27143424
<b>eCl@ss 6.0</b>	27143424
<b>eCl@ss 7.0</b>	27440209
<b>eCl@ss 8.0</b>	27440209

#### ETIM

<b>ETIM 2.0</b>	EC001132
<b>ETIM 3.0</b>	EC001132
<b>ETIM 4.0</b>	EC001132
<b>ETIM 5.0</b>	EC001132

# D-SUB bus connector - SUBCON-PLUS 9/M - 2744018

## classifications

### UNSPSC

UNSPSC 6.01	30211802
UNSPSC 7.0901	39121402
UNSPSC 11	39121402
UNSPSC 12.01	39121402
UNSPSC 13.2	39121402

## accessories

### Mounting material

SUBCON-SHORT-SCREW - 2799694



---

### Screwdriver tools

SZF 0-0,4X2,5 - 1204504



---

### Data plug

VS-09-GC-BU/BU - 1688722

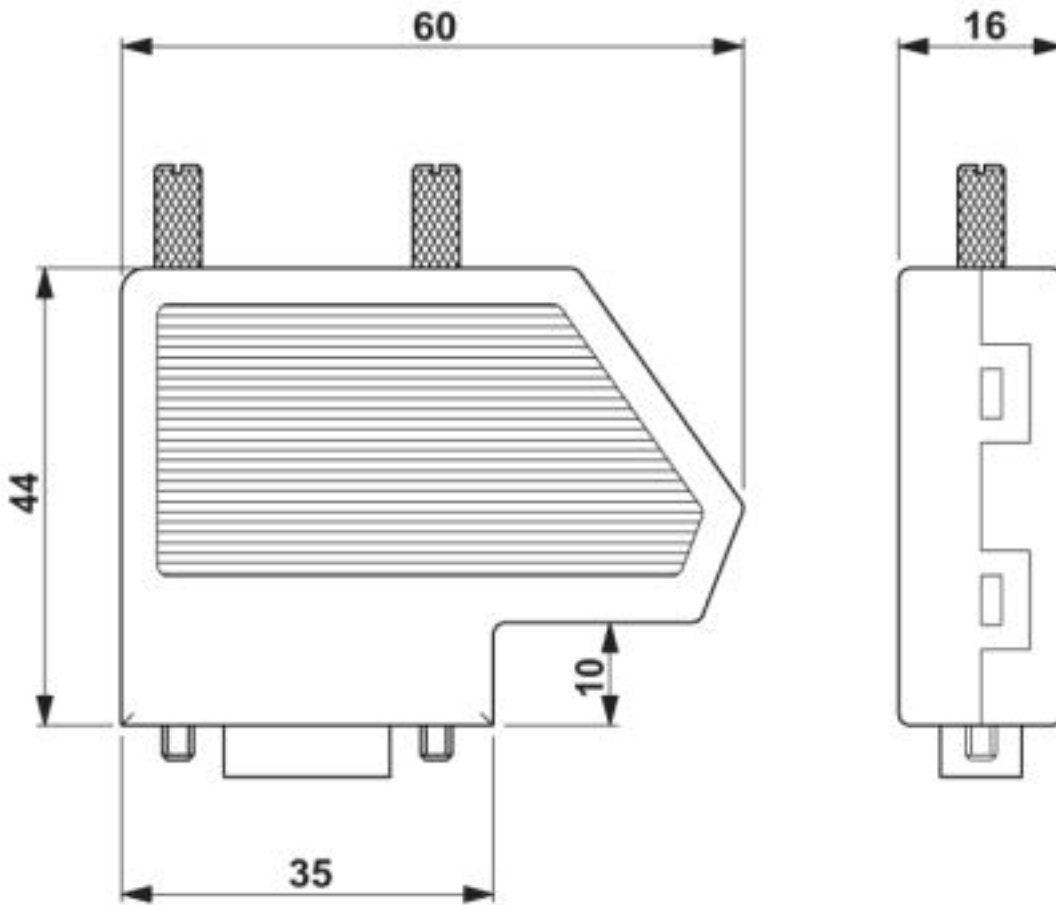


---

## Drawings

# D-SUB bus connector - SUBCON-PLUS 9/M - 2744018

Dimensioned drawing



Dimensional drawing SUBCON-PLUS...

© Phoenix Contact 2013 - all rights reserved  
<http://www.phoenixcontact.com>