

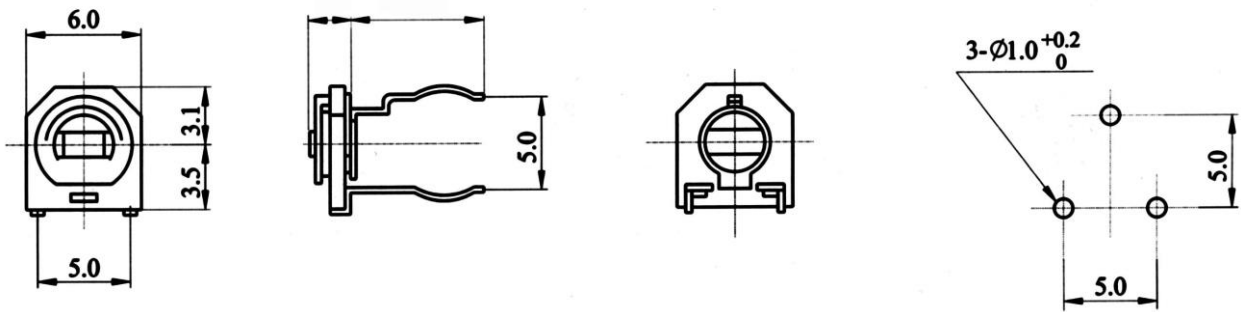
Cermet preset potentiometers

Series C 06

Type HAC 06 / SC065

Ordering code no.: 20 006

Basic design: with dust cover



Technical data

Rated resistance range	200 Ω - 1 M Ω	Limiting element voltage	100 V
Resistance tolerance	$\pm 20\%$	Mechanical travel	240° $\pm 10^\circ$
Law (resistance taper)	lin	Operating torque	0.5 - 3.0 Ncm
Rated dissipation	0.3 W / 50 °C	End stop torque	5 Ncm
Durability	50 cycles		