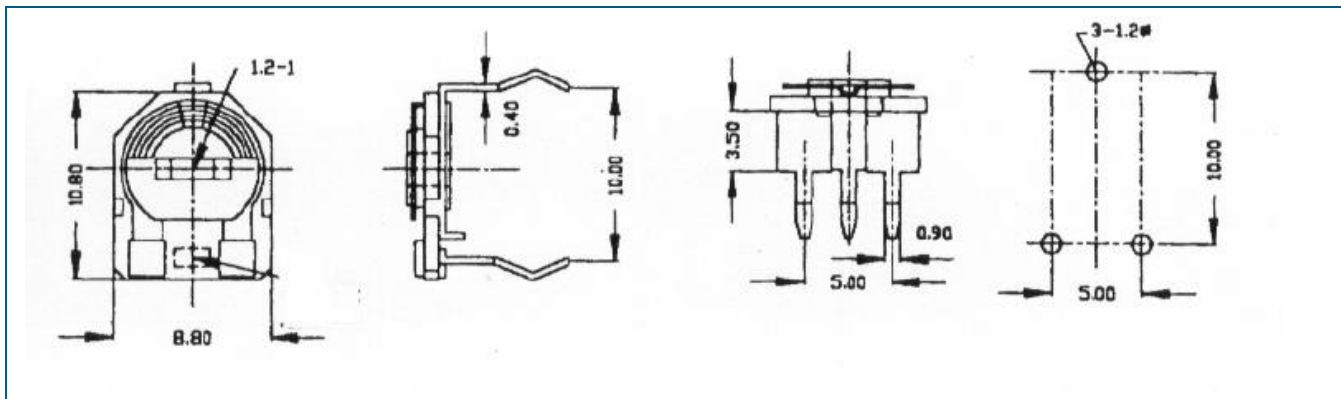


# Cermet preset potentiometers

Typ TGN 805 M

Basic design: width 9 mm



## Technical data

<b>Resistance value and tolerance</b>	100 Ω – 1 MΩ ± 20 %	<b>Stopper strength</b>	1.0 K gf-cm
<b>Taper</b>	lin	<b>Operation life</b>	100 cycle resistance value ± 10 %
<b>Power rating</b>	0.5 W / 70 °C	<b>Temperature characteristics</b>	3 % @ 70 °C 5HR
<b>Max. working voltage</b>	250 V	<b>Temperature coefficient</b>	+ 150 ppm / °C
<b>Residual resistance</b>	10 Ω @ R ± 1 K Ω, 1% @ R 1 K Ω	<b>Resistance to soldering heat</b>	260 °C 5 sec.
<b>Mech. rotation angle</b>	260 ± 20 °	<b>Working temperature</b>	- 40 °C – + 125°C