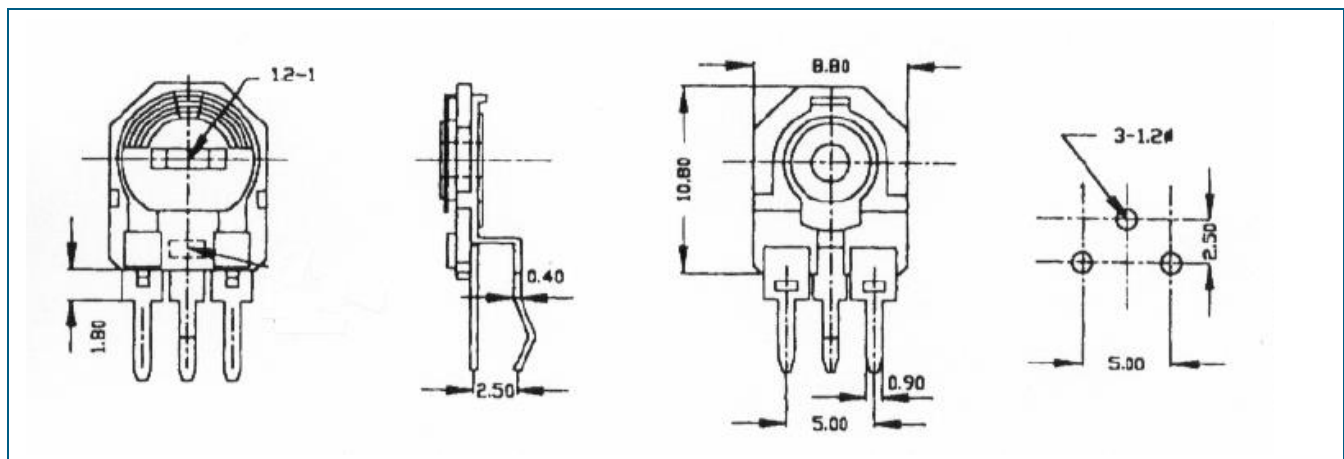


Cermet preset potentiometers

Typ TGN 825 M

Basic design: width 9 mm



Technical data

Resistance value and tolerance	100 Ω – 1 MΩ ± 20 %	Stopper strength	1.0 K gf-cm
Taper	lin	Operation life	100 cycle resistance value ± 10 %
Power rating	0.5 W / 70 °C	Temperature characteristics	3 % @ 70 °C 5HR
Max. working voltage	250 V	Temperature coefficient	+ 150 ppm / °C
Residual resistance	10 Ω @ R ± 1 K Ω, 1% @ R 1 K Ω	Resistance to soldering heat	260 °C 5 sec.
Mech. rotation angle	260 ± 20 °	Working temperature	- 40 °C – + 125 °C

General Note This datasheet does not give any information on product availability. The information given is just meant to describe the product and is not to be considered as guaranteed characteristics in the legal sense. All products are subject to design changes in the interest of further technical development.

Copyright: AB Elektronik GmbH (GER) ▪ info@abelektronik.de ▪ www.abelektronik.com