

## Ferrule - AI 4 -10 GY - 3200535

Please be informed that the data shown in this PDF Document is generated from our Online Catalog. Please find the complete data in the user's documentation. Our General Terms of Use for Downloads are valid (<http://download.phoenixcontact.com>)



Ferrule, Length: 17 mm, Color: gray

The figure shows the version AI 0,75-8 GY

### Product Features

- The AI 0,25.. ferrules can also be used to process 0.14 mm<sup>2</sup> conductors
- The ferrules with plastic sleeve are made from soft tin-plated electrolytic copper
- The insulation reliability of close connections is increased and the splicing of wires is prevented

### Key commercial data

package_quantity	100
GTIN	4017918094140

### Technical data

#### Dimensions

Length (b)	17 mm
Sleeve length	10 mm
Inner dimension of the insulating collar (d)	4.8 mm
Ferrule diameter	2.8 mm
Insulating collar thickness	0.3 mm
Sleeve wall thickness	0.2 mm

#### Ambient conditions

Short-term temperature	120 °C
Max. permanent temperature	105 °C

#### General

Color	gray
Components	free from silicone and halogen
Inflammability class according to UL 94	HB
Material	E-CU

### classifications

eCI@ss

# Ferrule - Al 4 -10 GY - 3200535

## classifications

### eCl@ss

eCl@ss 4.0	27060701
eCl@ss 4.1	27060701
eCl@ss 5.0	27400201
eCl@ss 5.1	27400201
eCl@ss 6.0	27400201
eCl@ss 7.0	27400201
eCl@ss 8.0	27400201

### ETIM

ETIM 2.0	EC000005
ETIM 3.0	EC000005
ETIM 4.0	EC000005
ETIM 5.0	EC000005


### UNSPSC

UNSPSC 6.01	30212109
UNSPSC 7.0901	27121703
UNSPSC 11	27121703
UNSPSC 12.01	27121703
UNSPSC 13.2	27121703

## approvals

CSA / CSAus / cCSAus /

### Approval details

	
Nominal voltage UN	
Nominal current IN	
mm <sup>2</sup> /AWG/kcmil	

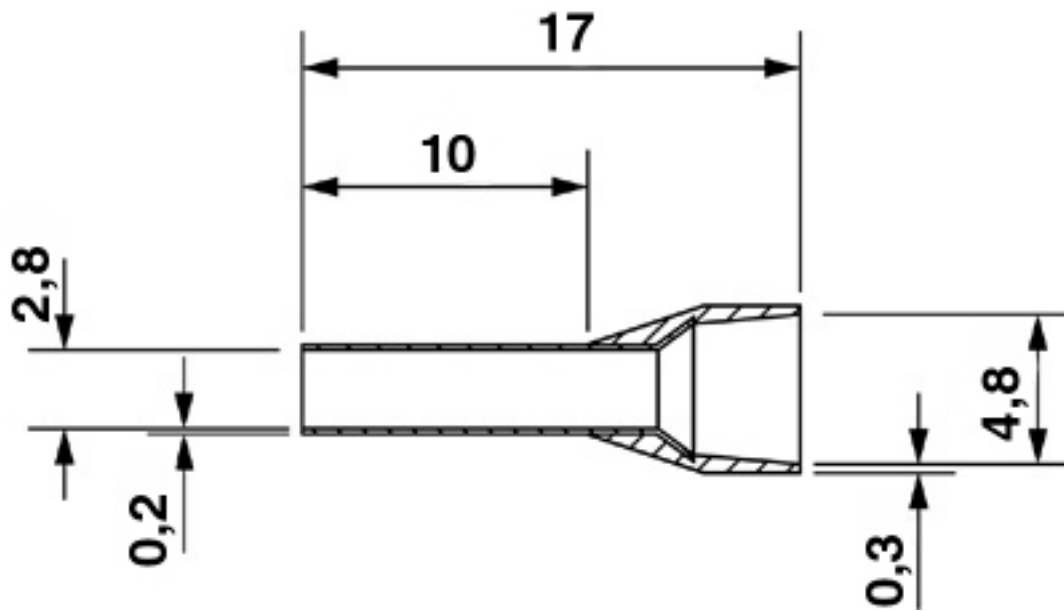
<b>CSAus</b>	
Nominal voltage UN	
Nominal current IN	
mm <sup>2</sup> /AWG/kcmil	

<b>cCSAus</b>
---------------

# Ferrule - Al 4 -10 GY - 3200535

## Drawings

Dimensioned drawing



© Phoenix Contact 2013 - all rights reserved  
<http://www.phoenixcontact.com>