

# Ferrule - AI-TWIN 2X 1,5 -12 BK - 3200991

Please be informed that the data shown in this PDF Document is generated from our Online Catalog. Please find the complete data in the user's documentation. Our General Terms of Use for Downloads are valid (<http://download.phoenixcontact.com>)



Ferrule, Length: 20 mm, Color: black

## Product Features

- Different versions of the individual TWIN ferrules can be selected for specific applications
- The TWIN ferrules provide a practical way of crimping two conductors in one ferrule
- These special ferrules allow chain bridges to be set up with ease

## Key commercial data

package_quantity	100
GTIN	4017918094546

## Technical data

### Dimensions

Length (b)	20 mm
Sleeve length	12 mm
Inner dimension of the insulating collar (d)	3.6 mm
Ferrule diameter	2.3 mm
Insulating collar thickness	0.3 mm
Sleeve wall thickness	0.15 mm

### Ambient conditions

Short-term temperature	120 °C
Max. permanent temperature	105 °C

### General

Color	black
Components	free from silicone and halogen
Inflammability class according to UL 94	HB
Material	E-CU

## classifications

### eCl@ss

eCl@ss 4.0	27060701
eCl@ss 4.1	27060701

# Ferrule - AI-TWIN 2X 1,5 -12 BK - 3200991

## classifications

### eCl@ss

eCl@ss 5.0	27400201
eCl@ss 5.1	27400201
eCl@ss 6.0	27400201
eCl@ss 7.0	27400201
eCl@ss 8.0	27400201

### ETIM

ETIM 2.0	EC000005
ETIM 3.0	EC000005
ETIM 4.0	EC000005
ETIM 5.0	EC000005


### UNSPSC

UNSPSC 6.01	30212109
UNSPSC 7.0901	27121703
UNSPSC 11	27121703
UNSPSC 12.01	27121703
UNSPSC 13.2	27121703

## approvals

CSA / CSAus / cCSAus /

### Approval details

	
Nominal voltage UN	
Nominal current IN	
mm <sup>2</sup> /AWG/kcmil	

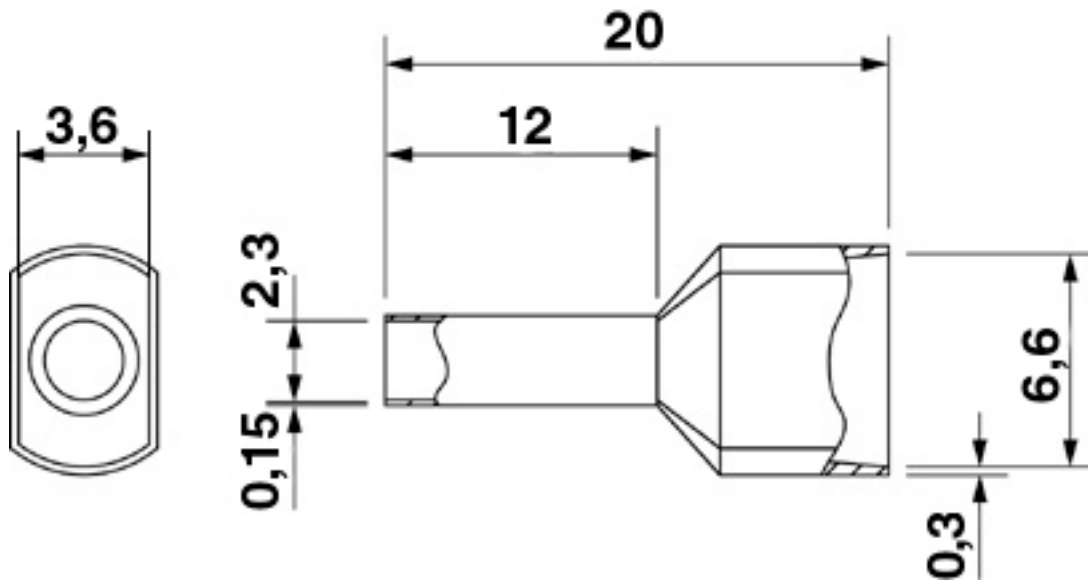
<b>CSAus</b>	
Nominal voltage UN	
Nominal current IN	
mm <sup>2</sup> /AWG/kcmil	

<b>cCSAus</b>
---------------

## Drawings

## Ferrule - AI-TWIN 2X 1,5 -12 BK - 3200991

Dimensioned drawing



© Phoenix Contact 2013 - all rights reserved  
<http://www.phoenixcontact.com>