

# Ferrule - AI 1,5 -10 BK-1000 - 3203134

Please be informed that the data shown in this PDF Document is generated from our Online Catalog. Please find the complete data in the user's documentation. Our General Terms of Use for Downloads are valid (<http://download.phoenixcontact.com>)



Ferrule, Length: 18 mm, Color: black

The figure shows the version AI 1,5-8

## Key commercial data

<b>package_quantity</b>	1000
<b>GTIN</b>	4046356079594

## Technical data

### Dimensions

<b>Length (b)</b>	18 mm
<b>Sleeve length</b>	10 mm
<b>Inner dimension of the insulating collar (d)</b>	3.4 mm
<b>Ferrule diameter</b>	1.8 mm
<b>Insulating collar thickness</b>	0.3 mm
<b>Sleeve wall thickness</b>	0.15 mm

### Ambient conditions

<b>Short-term temperature</b>	120 °C
<b>Max. permanent temperature</b>	105 °C

### General

<b>Color</b>	black
<b>Components</b>	free from silicone and halogen
<b>Inflammability class according to UL 94</b>	HB
<b>Material</b>	E-CU

## classifications

### eCl@ss

<b>eCl@ss 4.0</b>	27060701
<b>eCl@ss 4.1</b>	27060701
<b>eCl@ss 5.0</b>	27400201
<b>eCl@ss 5.1</b>	27400201
<b>eCl@ss 6.0</b>	27400201

# Ferrule - Al 1,5 -10 BK-1000 - 3203134

## classifications

### eCl@ss

eCl@ss 7.0	27400201
eCl@ss 8.0	27400201

### ETIM

ETIM 3.0	EC000005
ETIM 4.0	EC000005
ETIM 5.0	EC000005


### UNSPSC

UNSPSC 6.01	30212109
UNSPSC 7.0901	27121703
UNSPSC 11	27121703
UNSPSC 12.01	27121703
UNSPSC 13.2	27121703

## approvals

CSA /

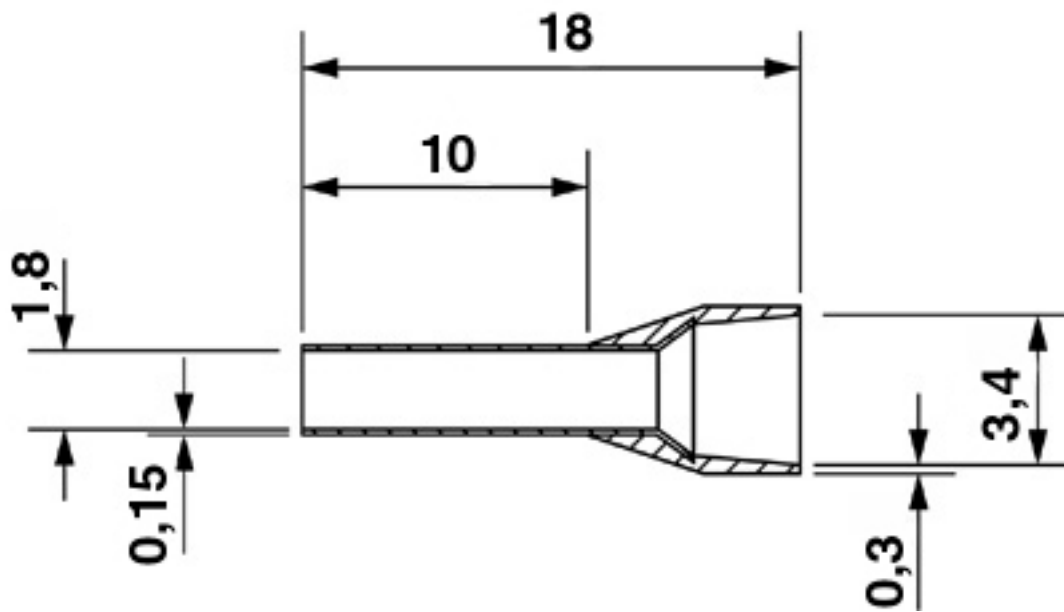
### Approval details

	
Nominal voltage UN	
Nominal current IN	
mm <sup>2</sup> /AWG/kcmil	

## Drawings

# Ferrule - Al 1,5 -10 BK-1000 - 3203134

Dimensioned drawing



© Phoenix Contact 2013 - all rights reserved  
<http://www.phoenixcontact.com>