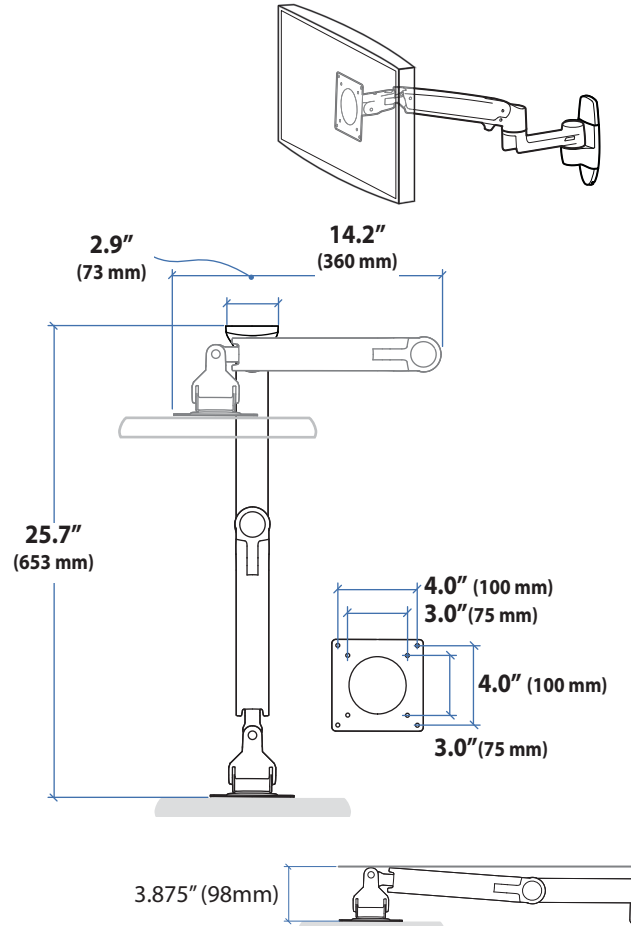
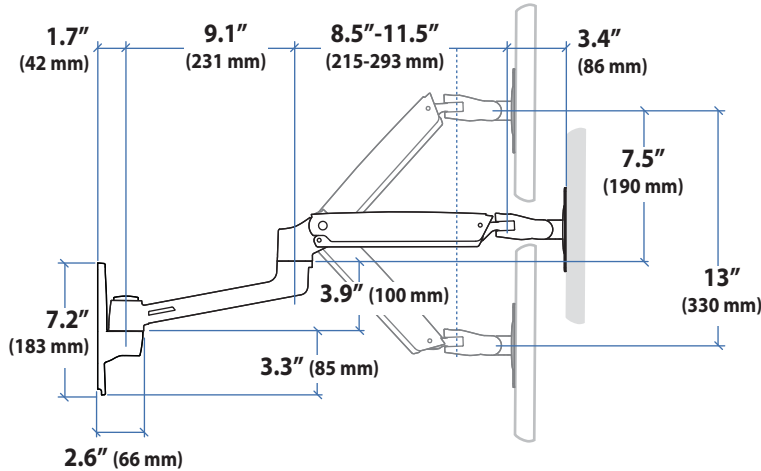


### Dimensions



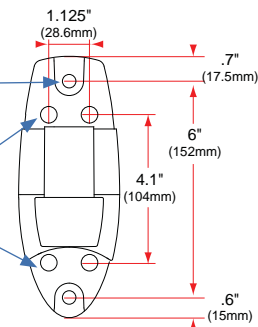
### Wall Mount Bracket

#### Stud mounting:

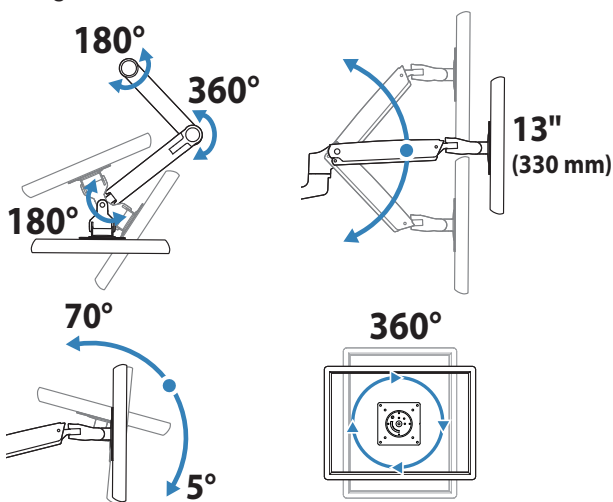
M8 x 80mm or 5/16" x 3" and flat washer 8mm or 5/16" (2 places)

#### Wall Track mounting:

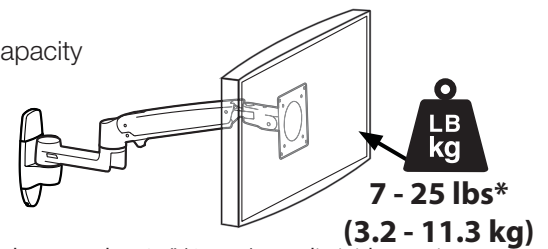
Button head cap screw #10-24 x 5/8" (4 places)



### Range of Motion

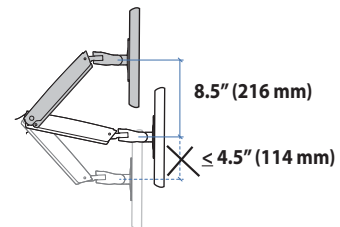


### Weight Capacity



Monitor depth greater than 2.5" (64 mm) may diminish capacity. Call Ergotron for more information.

\* The lower most range of motion for vertical lift is decreased up to 4.5" (114 mm) when arm is adjusted to hold over 20lbs (9 kgs).



© 2014 Ergotron, Inc. rev. 11/22/2017 DIM-LXWM Content is subject to change without notification

#### Americas Sales and Corporate Headquarters

St. Paul, MN USA  
(800) 888-8458  
+1-651-681-7600  
www.ergotron.com  
sales@ergotron.com

#### EMEA Sales

Amersfoort, The Netherlands  
+31 33 45 45 600  
www.ergotron.com  
info.eu@ergotron.com

#### APAC Sales

Tokyo, Japan  
www.ergotron.com  
apaccustomerservice@ergotron.com

#### Worldwide OEM Sales

www.ergotron.com  
info.oem@ergotron.com