
Data sheet

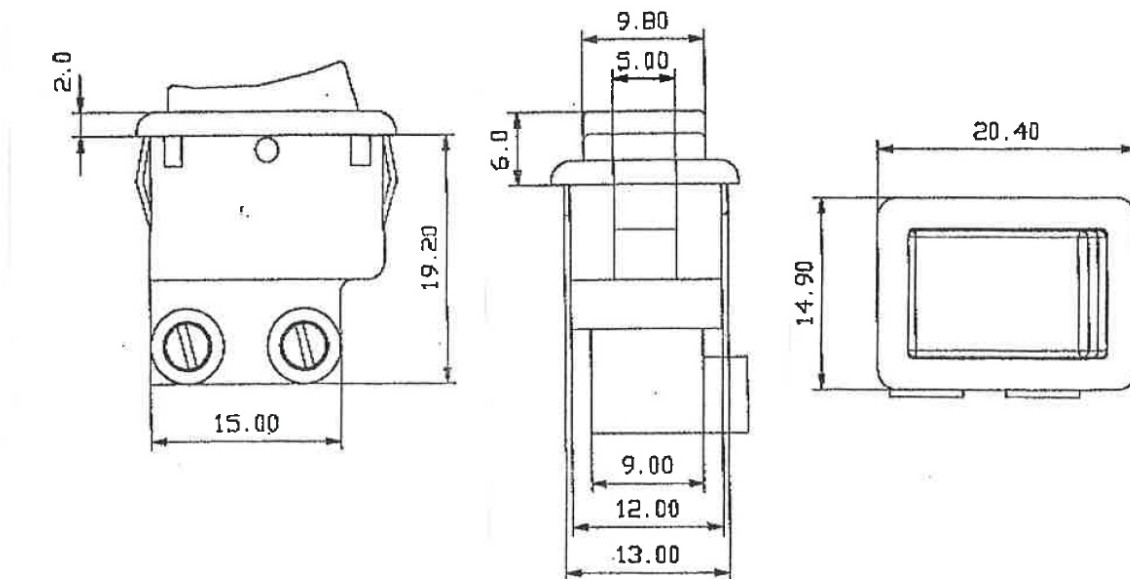
Article - Description

Rocker Switch Type 8004

10 (2) A, 250 V ac, on-off-switch, 1-pole, snap-in mounting cut-out 19,4 x 13 mm with screw terminal, rocker printing 0-I

This type is suitable for switching the secondary circuit of halogen lamps!!

Article - Picture



<i>inter BÄR-item no.</i> 8004-005...	<i>housing/rocker</i> black/red
--	------------------------------------

Technical modifications reserved!
Works at 230 V-mains must only be carried out by a specialist!