

Electronic housing - ME MAX 22,5 SF G 2-2 KMGY - 2869362

Please be informed that the data shown in this PDF Document is generated from our Online Catalog. Please find the complete data in the user's documentation. Our General Terms of Use for Downloads are valid (<http://download.phoenixcontact.com>)



Electronic housing consisting of: Housing shells left and right, front plate, transparent cover, metal foot catch and spring, enclosed housing, 16-pos. (4 x 4 pos.), design: Extra flat, width: 22,5 mm, color: Light gray

Product Features

- Plug-in connection with screw, spring-cage or fast connection technology
- Labels for additional labeling as an option
- DIN rail bus connector as an option
- Large front surface for high-pos. plugs or operating and setting elements
- Large PCB surface despite compact housing dimensions
- The fitted cover is easy to adapt and print
- Easy module replacement without interrupting the contact chain
- Fixed or plug-in connection technology can be combined on up to three connection levels, with different pitches
- Transparent front cover can be swiveled
- Functional earth ground contact as an option

Key commercial data

package_quantity	10
GTIN	4017918975098

Technical data

General

Housing type	Complete housing
Housing material	Polyamide
Color	light gray

Ambient conditions

Ambient temperature (operation)	-40 °C ... 105 °C
--	-------------------

Dimensions

Length	85 mm
Constructional height	70.4 mm
Width	22.5 mm

Technical data

Inflammability class according to UL 94	V0
Power dissipation at 20°C in the horizontal mounting position	5.5 W 9.6 W
Number of positions	16

Electronic housing - ME MAX 22,5 SF G 2-2 KMGY - 2869362

Technical data

classifications

eCl@ss

eCl@ss 4.0	27180401
eCl@ss 4.1	27180401
eCl@ss 5.0	27180506
eCl@ss 5.1	27180506
eCl@ss 6.0	27180802
eCl@ss 7.0	27182702
eCl@ss 8.0	27182702

ETIM

ETIM 2.0	EC001031
ETIM 3.0	EC001031
ETIM 4.0	EC001031
ETIM 5.0	EC001031

UNSPSC

UNSPSC 6.01	31261501
UNSPSC 7.0901	31261501
UNSPSC 11	31261501
UNSPSC 12.01	31261501
UNSPSC 13.2	31261501

approvals

UL Recognized /

Approval details



accessories

Ground contact

ME FE-CONTACT - 2908294

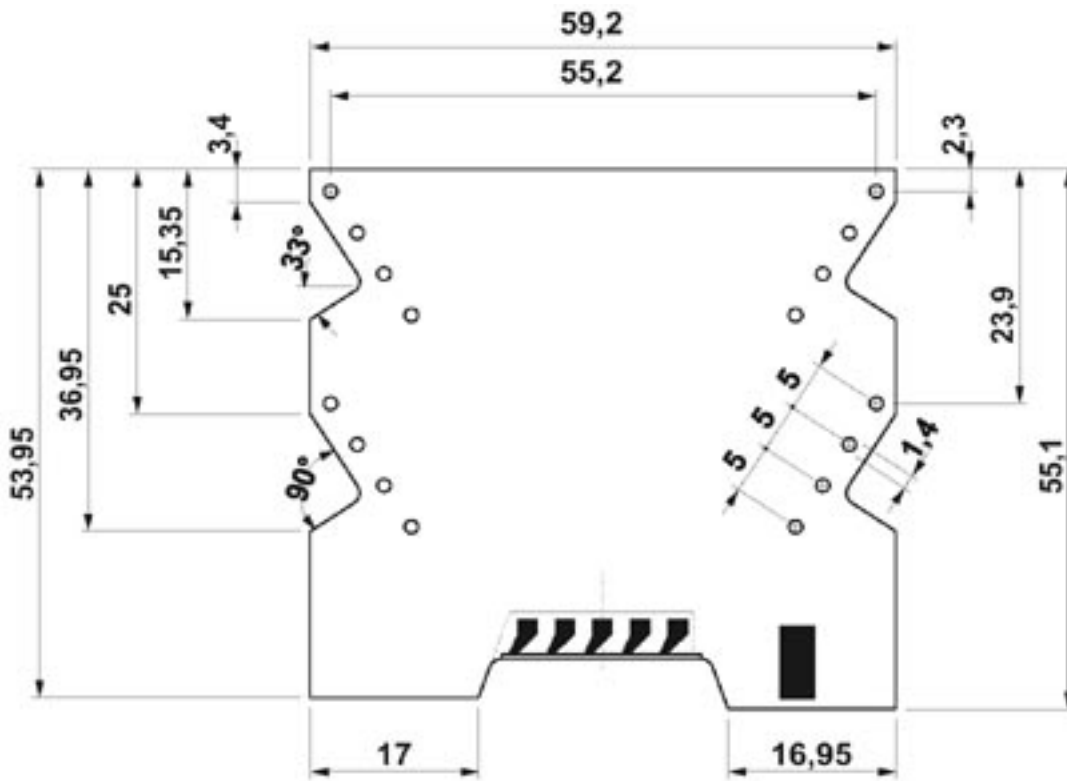


Electronic housing - ME MAX 22,5 SF G 2-2 KMGY - 2869362

accessories

Drawings

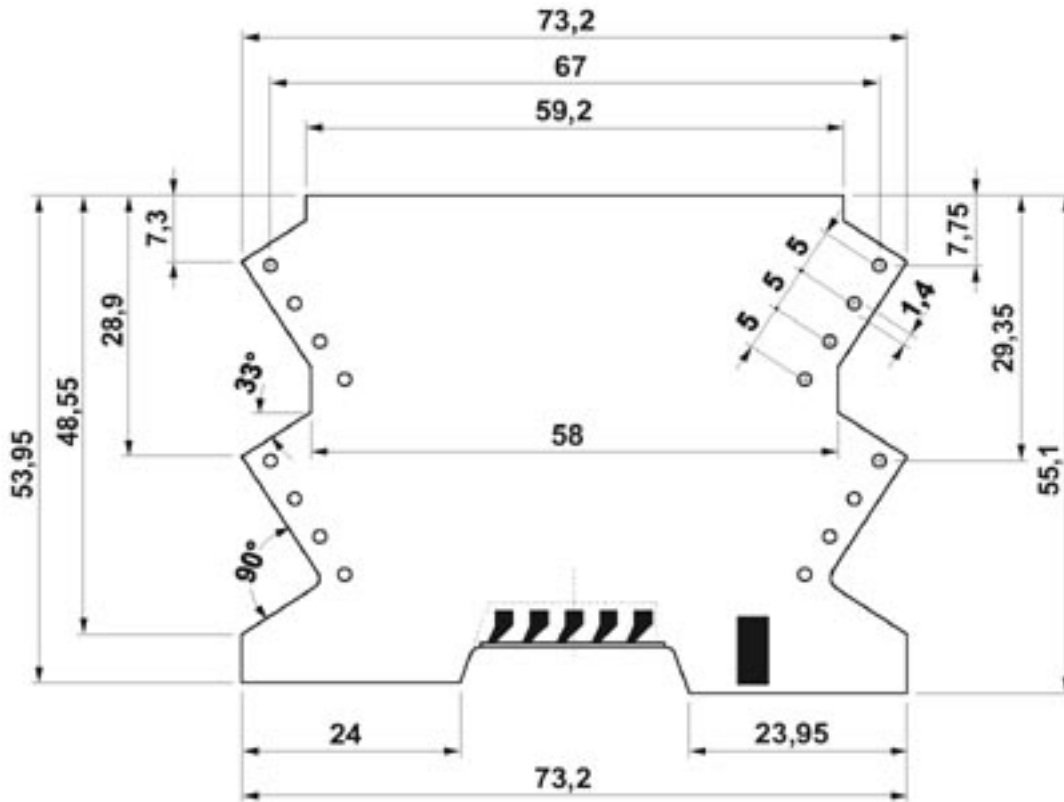
Dimensioned drawing



Dimensional drawing of the ME MAX ...SF 2-2 PCB for plug connection (MSTBO), view: Component side

Electronic housing - ME MAX 22,5 SF G 2-2 KMGY - 2869362

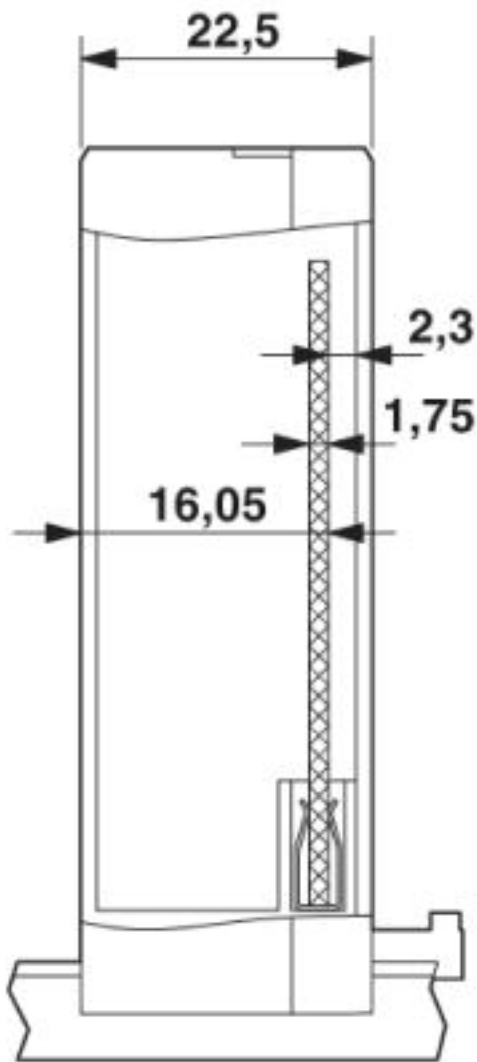
Dimensioned drawing



Dimensional drawing of the ME MAX ...SF 2-2 PCB for PCB terminal block connection (MKDSO), view: Component side

Electronic housing - ME MAX 22,5 SF G 2-2 KMGY - 2869362

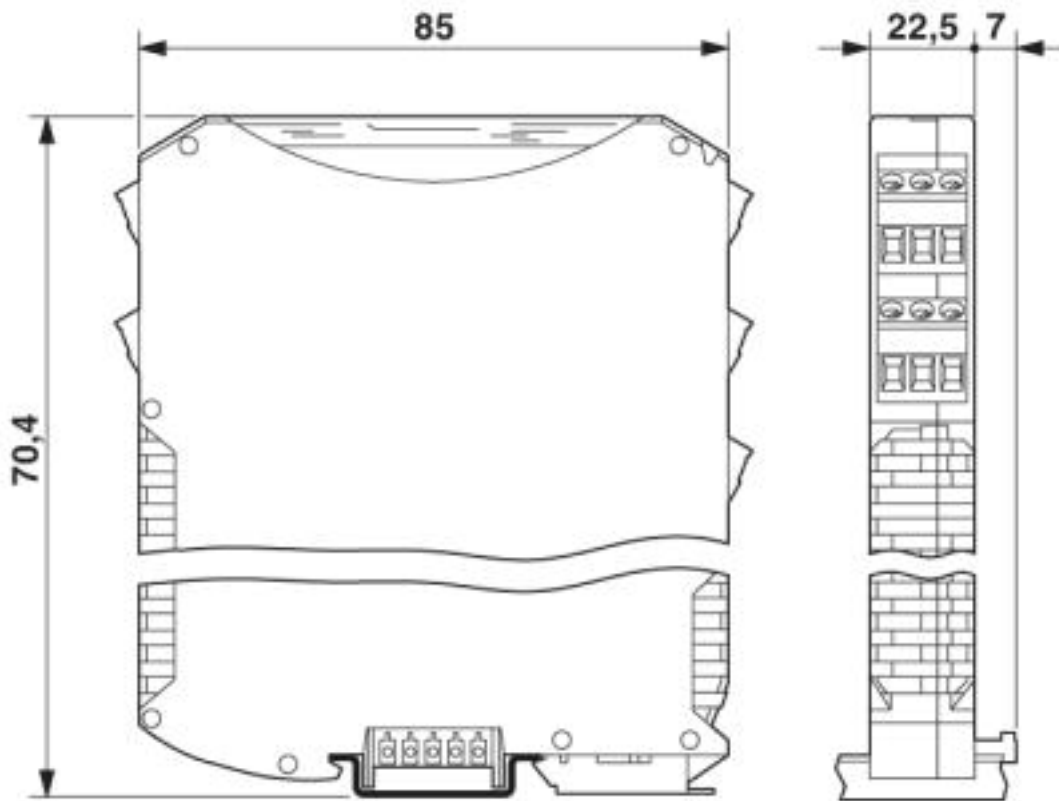
Dimensioned drawing



Housing inner dimensions ME MAX... Flat/extra-flat

Electronic housing - ME MAX 22,5 SF G 2-2 KMGY - 2869362

Dimensioned drawing



© Phoenix Contact 2013 - all rights reserved
<http://www.phoenixcontact.com>