

TOLERANCE GENERALE: ± 0.3
 GENERAL TOLERANCE: ± .01



SPECIFICATIONS

• CONSTRUCTION

Sealed pushbutton switch for panel mounting.
 Solder lugs terminals.

• MATERIALS

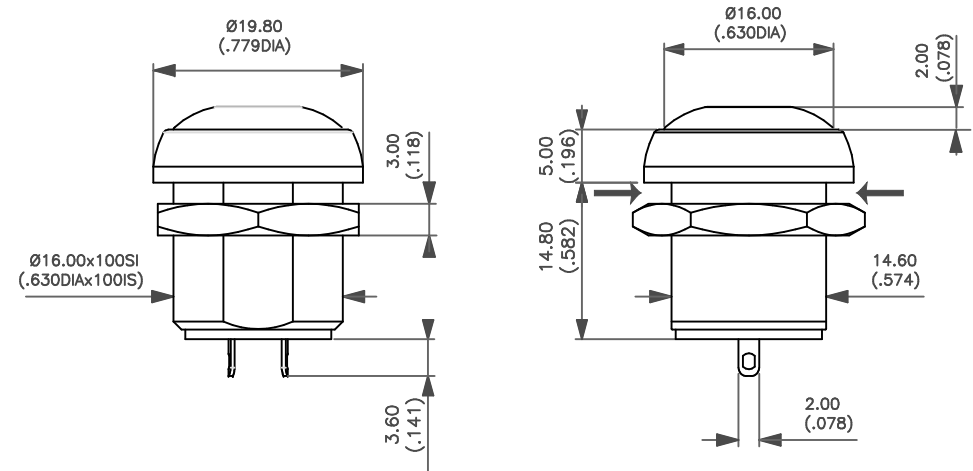
Case : Pa6T UL94V0
 Plunger : Polyamide 6/6
 Bushing/Collar : Polyamide 6/6
 Contacts : Silver, gold plated

• ELECTRICAL CHARACTERISTICS

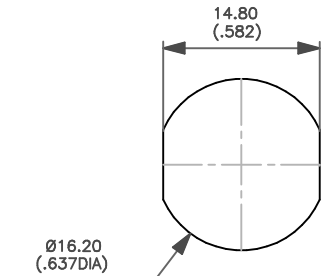
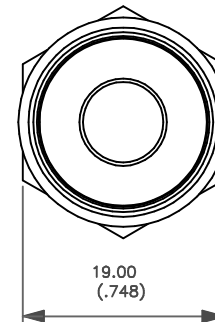
Electrical function : Normally open (NO)
 Maximum ratings : 200mA 48VDC
 Electrical life : 500 000 cycles minimum
 Contact resistance : 100 milliohms Max
 Insulation resistance: 1 Gigaohms min - 500 VDC
 Dielectric strength : 1500 VAC rms 50Hz between terminals
 Mechanical life : 1.000.000 cycles

• MECHANICAL AND ENVIRONMENTAL CHARACTERISTICS

Degree of protection : IP67 according to IEC 529
 Temperature range : -40°C to +85°C



Epaisseur de panneau : 9.00 (.354) Max.
 Panel thickness: 9.00 (.354) Max.



↓ Méplat
 Flat

Replace the first blank digit with the following color code

Code	1	2	3	4	5	6	7/1	8	9
Plunger Colour	Blue	Black	Green	Grey	Yellow	Red	White	Bright Chrome	Orange

MATERIAL:	 APEM Unité INTERRUPTEURS 55, av. E.HERRIOT BP 1 82303 CAUSSADE CEDEX Tél. 05.63.93.14.98 - Télécopie 05.63.93.19.03	DRAWN: J. Gauzin		
TREATMENT:		DATE : 15/02/2010		
FINISH:		CHECKED: D.Sire		
Scale: 2		Reference: DIR034S		
Issue	Modifications	Date	Name	Code Nbr.

ROUND PUSHBUTTON SWITCH
 IRR3S4-2