

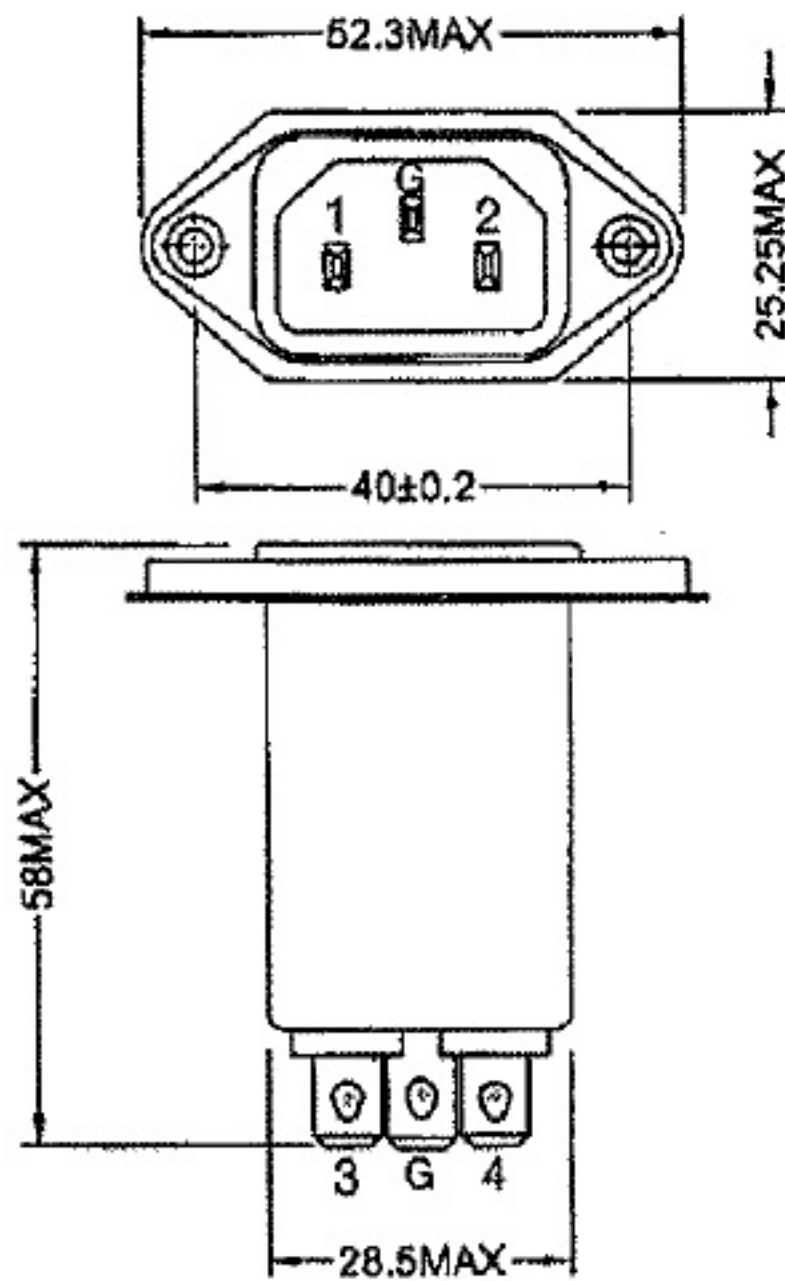
SPECIFICATION FOR APPROVAL

TO:

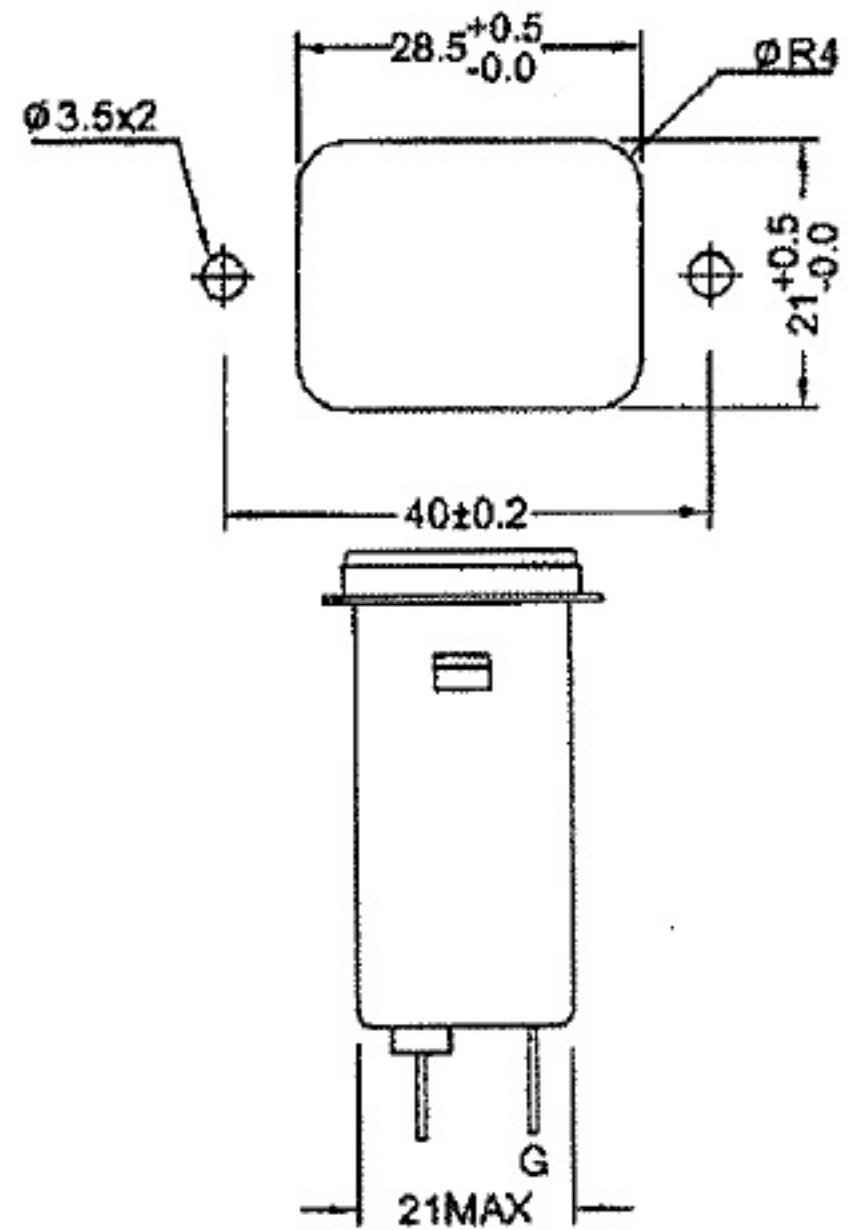
2/1

PART NAME	EMI FILTER		
YUNPEN MODEL	YB10A1-B	SAMPLE DATE	AUG.04.2008
USED NO		OUR DRAWING NO	YDR-00377

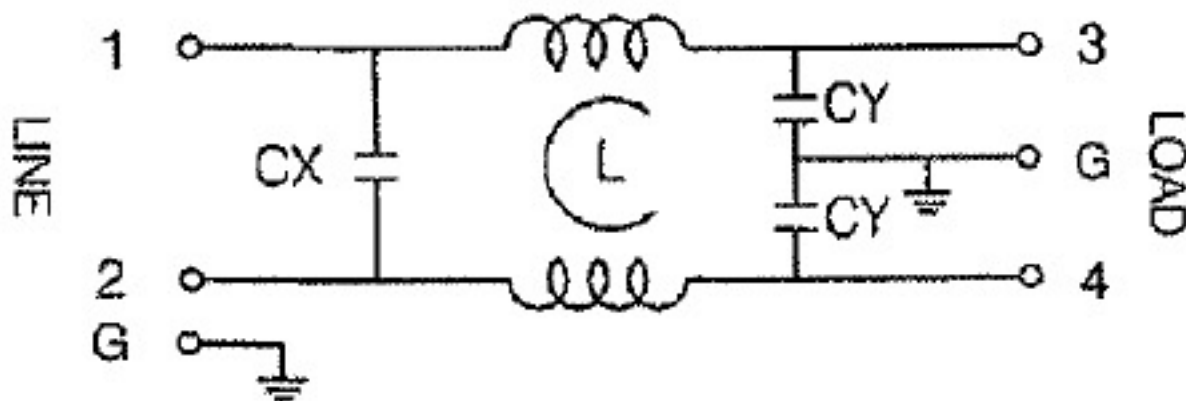
1. PHYSICAL DIMENSIONS:(mm)



SUGGESTED CUTOUT
MOUNTING DIMENSIONS
OF SOCKET



2. SCHEMATIC:



CX : 0.1uF
CY : 3300pF ± 20%
L : 2 x 0.3mH

REPORTED BY	CHECKED BY	APPROVED BY	3	
 工程師 王維新 080805	 080805		2	
			REV. 1	

SPECIFICATION FOR APPROVAL

TO:

2/2


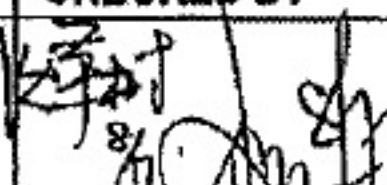
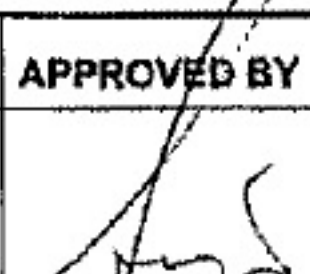
PART NAME	EMI FILTER		
YUNPEN MODEL	YB10A1-B	SAMPLE DATE	AUG.04.2008
USED NO		OUR DRAWING NO	YDR-00377

3. ELECTRICAL CHARACTERISTICS:

3-1. RATED VOLTAGE	125/250VAC
3-2. RATED CURRENT	10 A
3-3. OPERATING FREQUENCY	50/60Hz
3-4. LEAK CURRENT: EACH LINE TO GROUND 250VAC 50Hz	0.8mA MAX
3-5. HIPOT RATING: (FOR ONE MINUTE)	
LINE TO LINE	1450VDC
LINE TO GROUND	1800VAC
3-6. INSULATION RESISTANCE	250VDC/100MOHM MIN
3-7. DIRECT CURRENT RESISTANCE	0.1 OHM MAX
3-8. OPERATING TEMPERATURE	-25 TO +85°C

4. SAFETY COMPLIANCE:

UL FILE NO: E134751
 CSA FILE NO: LR95210
 VDE FILE NO: 40007880
 CE

REPORTED BY	CHECKED BY	APPROVED BY	3	
 陳銘 8/5/08 080805			2	
			REV. 1	