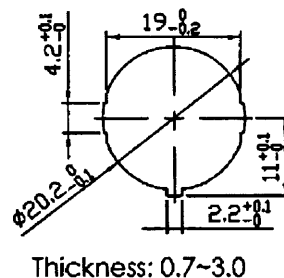
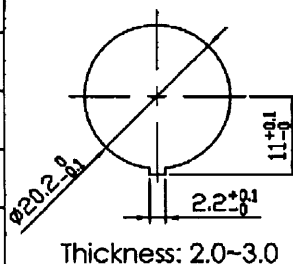
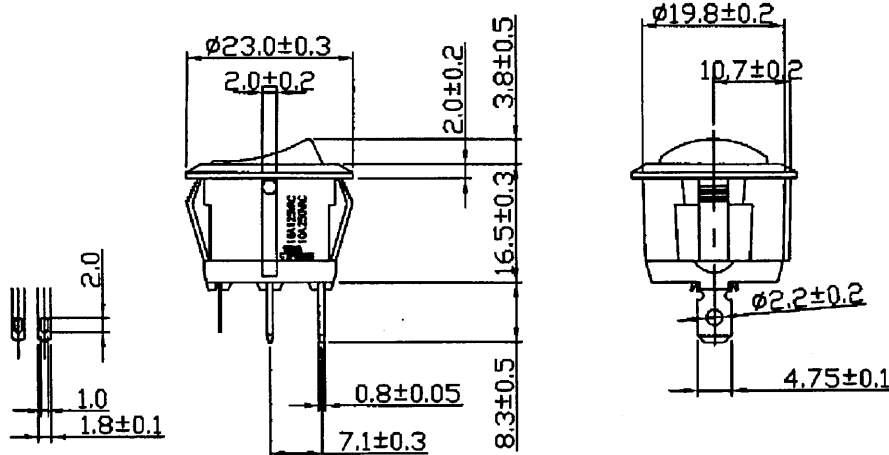
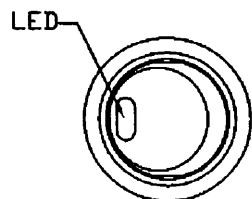
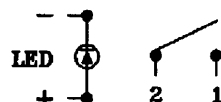


Rating	16A 125VAC	cRU _{US}	Mount Hole
	10A 250VAC		
	10A 125VAC	△ ⊙ ⊕ ⊖ ⊕	
	6A 250VAC		
Contact R	50m ohm Max.		
Insulation R	DC 500V 100M ohm Min.		
Dielectric Strength	AC 1500V 1 minute		
Operation Temperature	-20°C~85°C		
Circuit	4P SPST ON-OFF (LED)		



Circuit Structure



C8\R13\R13-112L-02

							△
							△
Date	Name	Descriptions					NO
Drawing	Check	Approval	SCI No.		Model Name	ROCKER SWITCH	
曹盈芳	<i>[Signature]</i>	<i>[Signature]</i>	Customer No.		Model No.	R13-112L-02	
11/11/04	11/11/04	12/30/04	Unit	mm	SHIN CHIN INDUSTRIAL CO., LTD.		