
Data sheet

Article Description

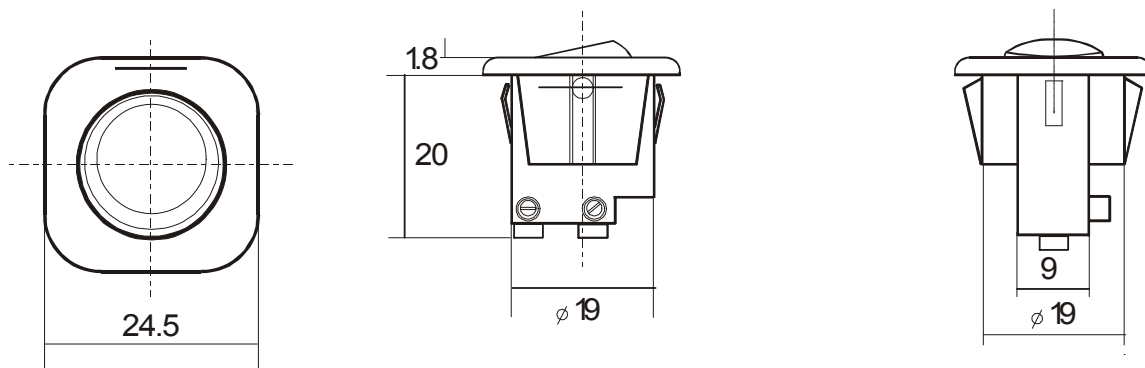
Rocker Switch Type 8014/6 A

6 (2) A, 250 V, 1-pole, on/off-switch, T 120° C,
fitting dimension \varnothing 21,7 mm, snap-in mounting,
 for devices of protection class II,
 screw terminals with protection
 against accidental contact

Article Picture



This type is suitable for switching the secondary circuit of halogen lamps



fitting dimension \varnothing 21.7 mm

<i>inter Bär-No.</i>	<i>Colour</i>
8014-108...	white
8014-104...	black
8014-109...	brown

Technical modifications reserved!
Works at 230 V-mains must only be carried out by a specialist!