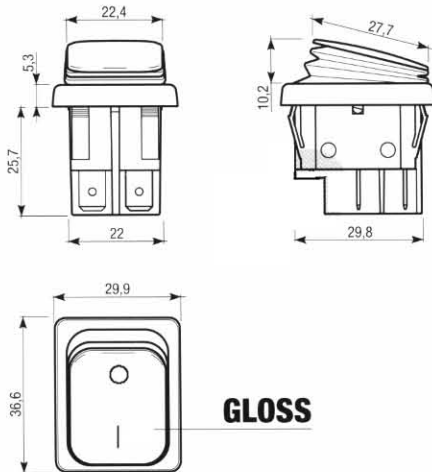


Z	Y	X
0,7 ÷ 1,25	22,0 <sup>+0,2</sup> <sub>0</sub>	30,2 <sup>±0,1</sup>
1,25 ÷ 2	22,0 <sup>+0,2</sup> <sub>0</sub>	30,6 <sup>±0,1</sup>
2 ÷ 3	22,0 <sup>+0,2</sup> <sub>0</sub>	30,8 <sup>±0,1</sup>



**4**

Illuminated versions are for max. 240V, the not illuminated for max. 400V!

Die beleuchteten Ausführungen sind für max. 240V, die unbeleuchtete Ausführung für max. 400V geeignet!

## Technical Data

Standards	<b>EN 61058 UL 1054 C. 22.2 n° 55-1986</b>
Rating resistive and/or motor	<b>16 (8) A - 250 V AC 1E4 12 (10) A - 250 V AC 5E4 10 A - 400 V AC 1E4</b>
Operating temperature	<b>T 120 / 55 °C</b>
USA rating	<b>20 A - 125 V AC 16 A - 250 V AC</b>
Operating temperature	<b>T 65 °C</b>
Class of application	<b>II</b>
Degree of protection	<b>IP 65</b>
Mechanical life	<b>&gt; 300.000</b>
Actuating force	<b>&lt; 15 N</b>
Contact opening	<b>&gt; 3 mm</b>
Insulating resistance	<b>&gt; 10 MΩ</b>
Dielectric strength	<b>4.000 V</b>
Proof tracking index	<b>PTI 250 V</b>
Glow-wire test	<b>850 °C</b>
Flame resistance	<b>UL 94-V2</b>