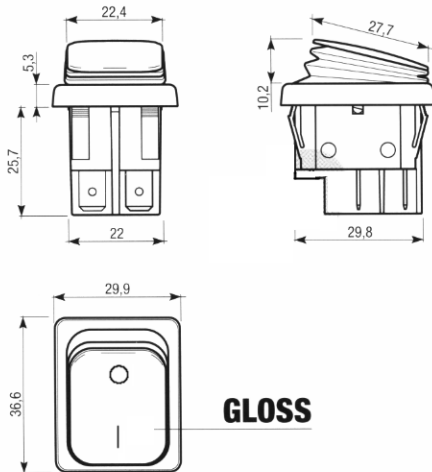


| Z          | Y                                 | X                    |
|------------|-----------------------------------|----------------------|
| 0,7 ÷ 1,25 | 22,0 <sup>+0,2</sup> <sub>0</sub> | 30,2 <sup>±0,1</sup> |
| 1,25 ÷ 2   | 22,0 <sup>+0,2</sup> <sub>0</sub> | 30,6 <sup>±0,1</sup> |
| 2 ÷ 3      | 22,0 <sup>+0,2</sup> <sub>0</sub> | 30,8 <sup>±0,1</sup> |



**4**

Illuminated versions are for max. 240V, the not illuminated for max. 400V!

Die beleuchteten Ausführungen sind für max. 240V, die unbeleuchtete Ausführung für max. 400V geeignet!

### Technical Data

|                               |   |
|-------------------------------|---|
| Standards                     | <b>EN 61058<br/>UL 1054<br/>C. 22.2 n° 55-1986</b>                                  |
| Rating resistive and/or motor | <b>16 (8) A - 250 V AC 1E4<br/>12 (10) A - 250 V AC 5E4<br/>10 A - 400 V AC 1E4</b> |
| Operating temperature         | <b>T 120 / 55 °C</b>  |
| USA rating                    | <b>20 A - 125 V AC<br/>16 A - 250 V AC</b>  |
| Operating temperature         | <b>T 65 °C</b>  |
| Class of application          | <b>II</b>   |
| Degree of protection          | <b>IP 65</b>  |
| Mechanical life               | <b>&gt; 300.000</b>   |
| Actuating force               | <b>&lt; 15 N</b>  |
| Contact opening               | <b>&gt; 3 mm</b>  |
| Insulating resistance         | <b>&gt; 10 MΩ</b>   |
| Dielectric strength           | <b>4.000 V</b>  |
| Proof tracking index          | <b>PTI 250 V</b>  |
| Glow-wire test                | <b>850 °C</b>   |
| Flame resistance              | <b>UL 94-V2</b>   |